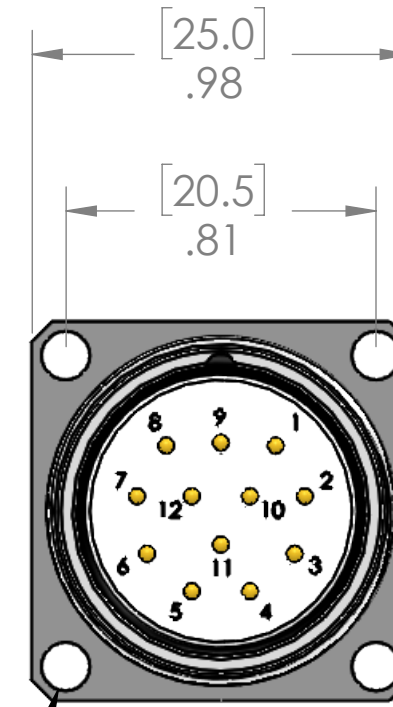
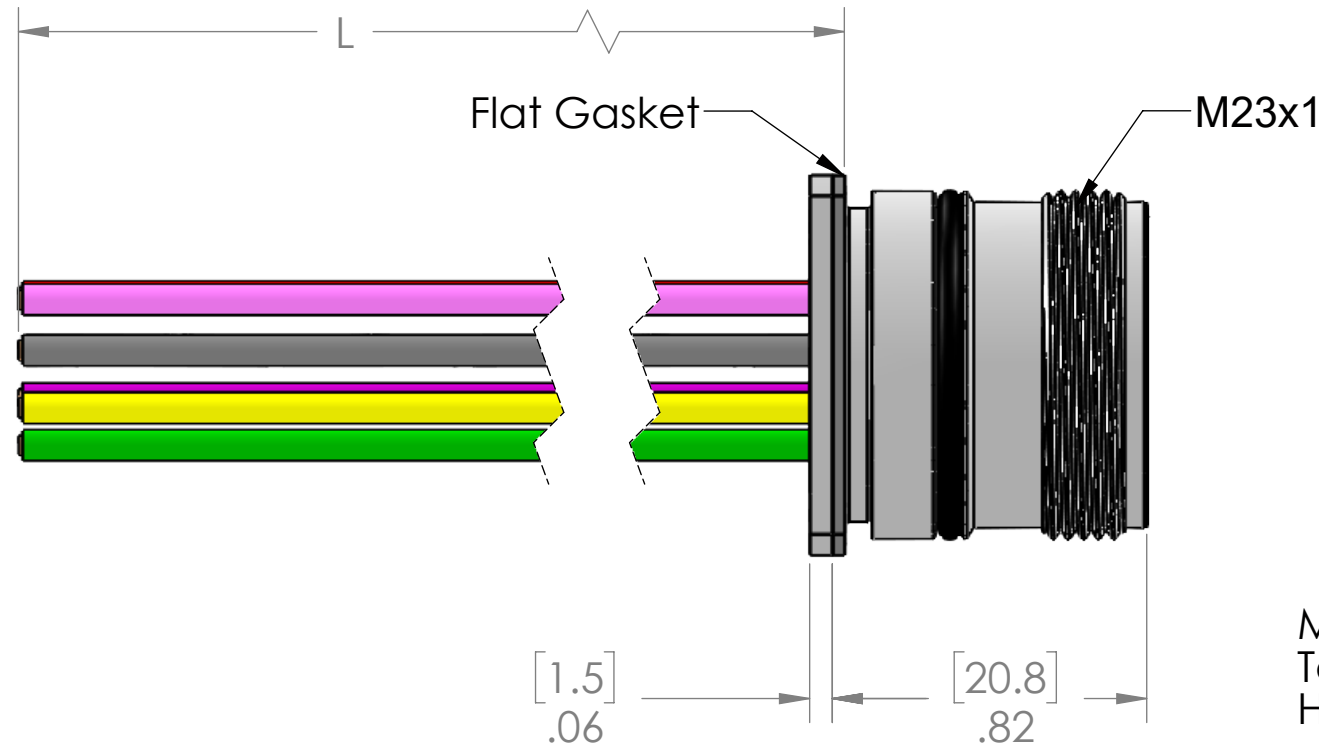


PIN #	COLOR
1	BROWN
2	BROWN / WHITE
3	BLUE
4	WHITE
5	GREEN
6	YELLOW
7	GRAY
8	PINK
9	RED
10	BLACK
11	VIOLET
12	GREEN / YELLOW

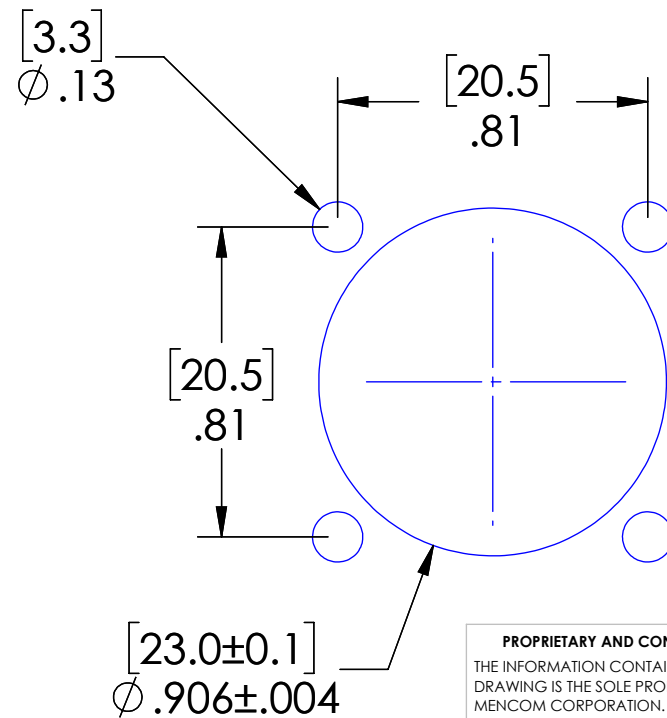


M3.0 Tapped Holes

TABLE A	
P/N	L
MCV-12MR-0.3M-RM30	12" [0.3M]
MCV-12MR-0.5M-RM30	20" [0.5M]
MCV-12MR-0.6M-RM30	24" [0.6M]
MCV-12MR-1M-RM30	40" [1M]
MCV-12MR-2M-RM30	79" [2M]
MCV-12MR-3M-RM30	118" [3M]
MCV-12MR-5M-RM30	197" [5M]
MCV-12MR-10M-RM30	393" [10M]

OTHER LENGTHS ARE AVAILABLE
PLEASE CONSULT FACTORY

SUGGESTED CUT-OUT



MATERIALS	
SHELL:	NICKEL PLATED BRASS
CONTACTS:	GOLD PLATED COPPER ALLOY
WIRES:	
STYLE:	UL 1007/1569
AWG:	18 AWG
JACKET:	PVC
VOLTAGE:	300V
INSERT:	PBT
O-RING:	NBR
GASKET:	NBR
APPROVALS	
US:	UL LISTED
CANADA:	C-UL LISTED
ROHS:	YES
CE & UKCA:	YES
RATINGS	
PROTECTION CLASS:	IEC IP69

PROPRIETARY AND CONFIDENTIAL
THE INFORMATION CONTAINED IN THIS DRAWING IS THE SOLE PROPERTY OF MENCOM CORPORATION. ANY REPRODUCTION IN PART OR AS A WHOLE WITHOUT THE WRITTEN PERMISSION OF MENCOM CORPORATION IS PROHIBITED.

VOLTS	300V
AMPS	6A
TEMP:	105°C

UNLESS OTHERWISE SPECIFIED:	DRAWN BY	ADM
DIMENSIONS ARE IN INCHES AND [MM]	DRAWN DATE	08/30/2023
	CHECKED BY	JJH
	CHECK DATE	08/30/2023
COMMENTS:		
DO NOT SCALE DRAWING		

MENCOM CORPORATION		
TITLE: 12 PL MALE 23 RECP		
SIZE	DWG. NO.	REV
B	MCV-12MR-ZZ-RM30	B
SCALE: 2:1	WEIGHT:	SHEET 1 OF 1