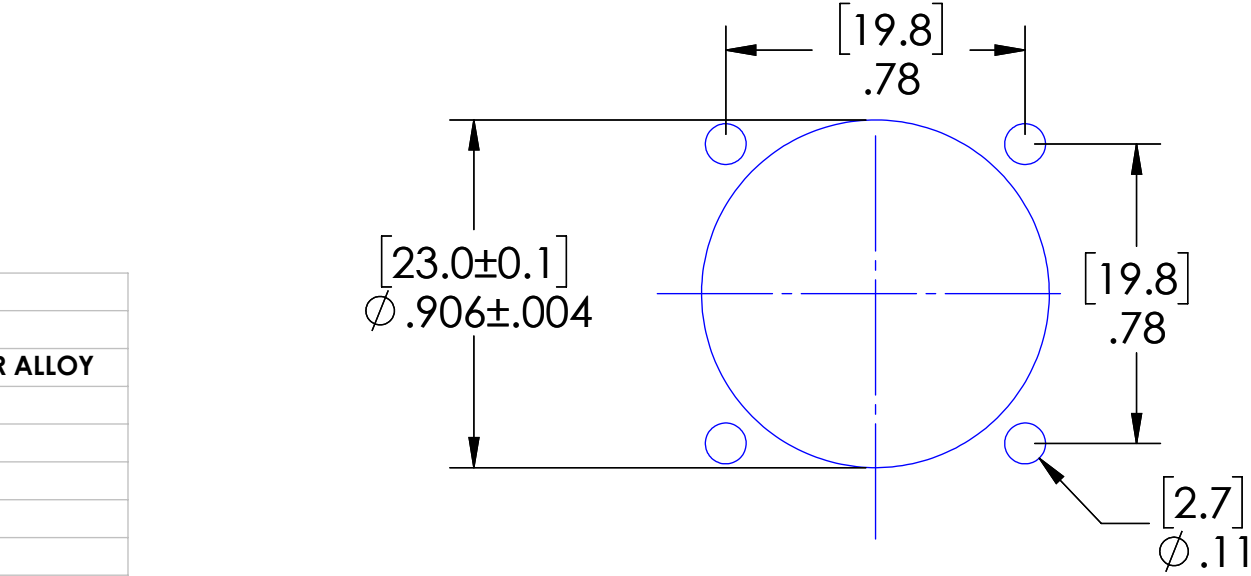
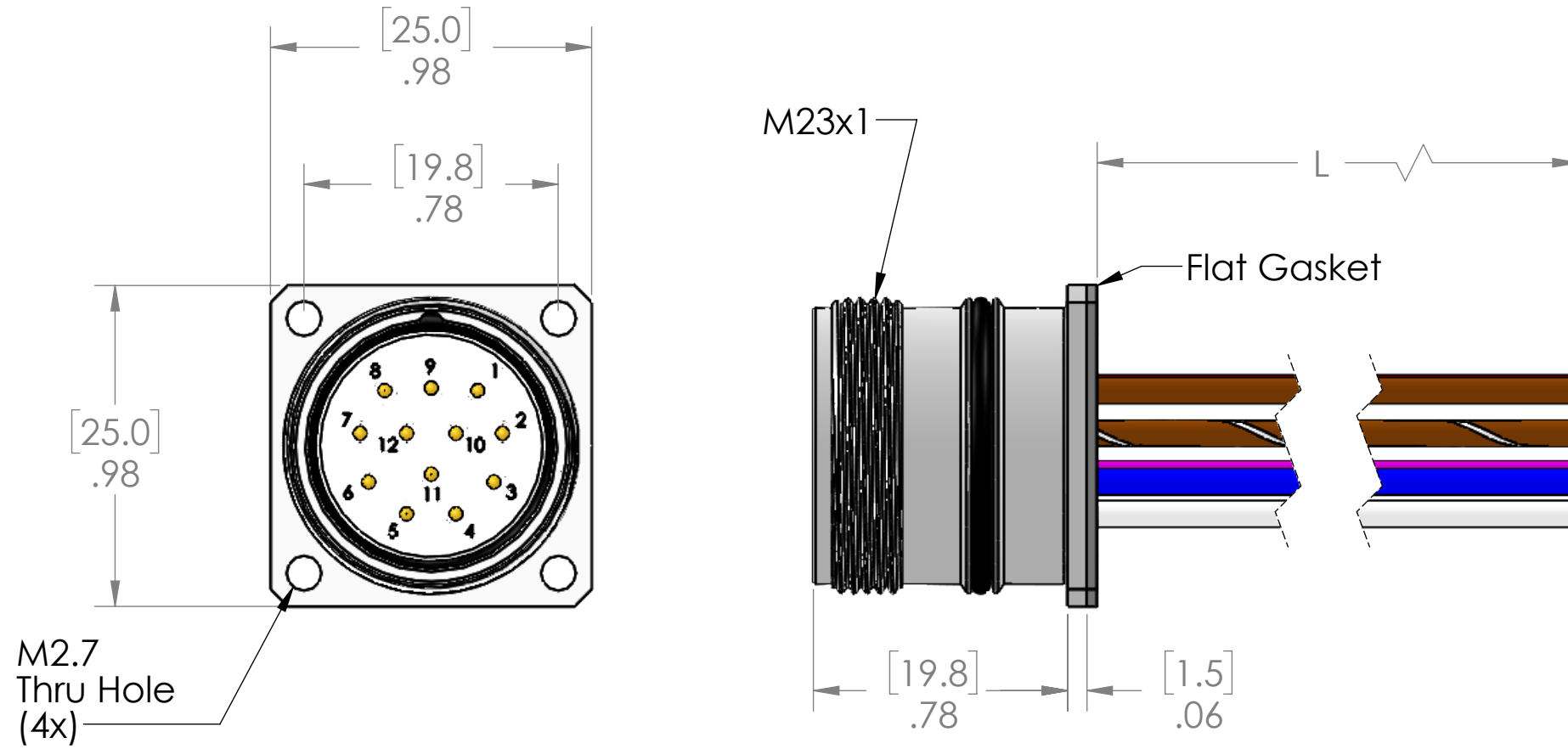


PIN #	COLOR
1	BROWN
2	BROWN / WHITE
3	BLUE
4	WHITE
5	GREEN
6	YELLOW
7	GRAY
8	PINK
9	RED
10	BLACK
11	VIOLET
12	GREEN / YELLOW



Suggested Panel Cutout
Maximum Panel Thickness - 2.5mm [0.10"]

MATERIALS	
SHELL:	NICKEL PLATED BRASS
CONTACTS:	GOLD PLATED COPPER ALLOY
WIRES:	
STYLE:	UL 1007/1569
AWG:	18 AWG
JACKET:	PVC
VOLTAGE:	300V
INSERT:	PBT
O-RING:	NBR
GASKET:	NBR
APPROVALS	
US:	UL LISTED
CANADA:	C-UL LISTED
ROHS:	YES
CE & UKCA:	YES
RATINGS	
PROTECTION CLASS:	IEC IP69

PART NUMBER	L
MCV-12MR-0.3M-PM27	12" [0.3m]
MCV-12MR-0.5M-PM27	20" [0.5m]
MCV-12MR-0.6M-PM27	24" [0.6m]
MCV-12MR-1M-PM27	40" [1m]
MCV-12MR-2M-PM27	79" [2m]
MCV-12MR-3M-PM27	118" [3m]
MCV-12MR-5M-PM27	197" [5m]
MCV-12MR-10M-PM27	393" [10m]

OTHER LENGTHS ARE AVAILABLE
PLEASE CONSULT FACTORY

UNLESS OTHERWISE SPECIFIED: DIMENSIONS ARE IN INCHES AND [MM]	DRAWN BY	ADM
	DRAWN DATE	08/29/2023
	CHECKED BY	JJH
	CHECK DATE	08/30/2023
COMMENTS:		
MATERIAL		
FINISH		
DO NOT SCALE DRAWING		

MENCOM CORPORATION		
TITLE:		
SIZE	DWG. NO.	REV
B	MCV-12MR-ZZ-PM27	B
SCALE: 2:1	WEIGHT:	SHEET 1 OF 1

PROPRIETARY AND CONFIDENTIAL
THE INFORMATION CONTAINED IN THIS
DRAWING IS THE SOLE PROPERTY OF
MENCOM CORPORATION. ANY
REPRODUCTION IN PART OR AS A WHOLE
WITHOUT THE WRITTEN PERMISSION OF
MENCOM CORPORATION IS
PROHIBITED.

VOLTS	300V
AMPS	6A
TEMP:	105°C