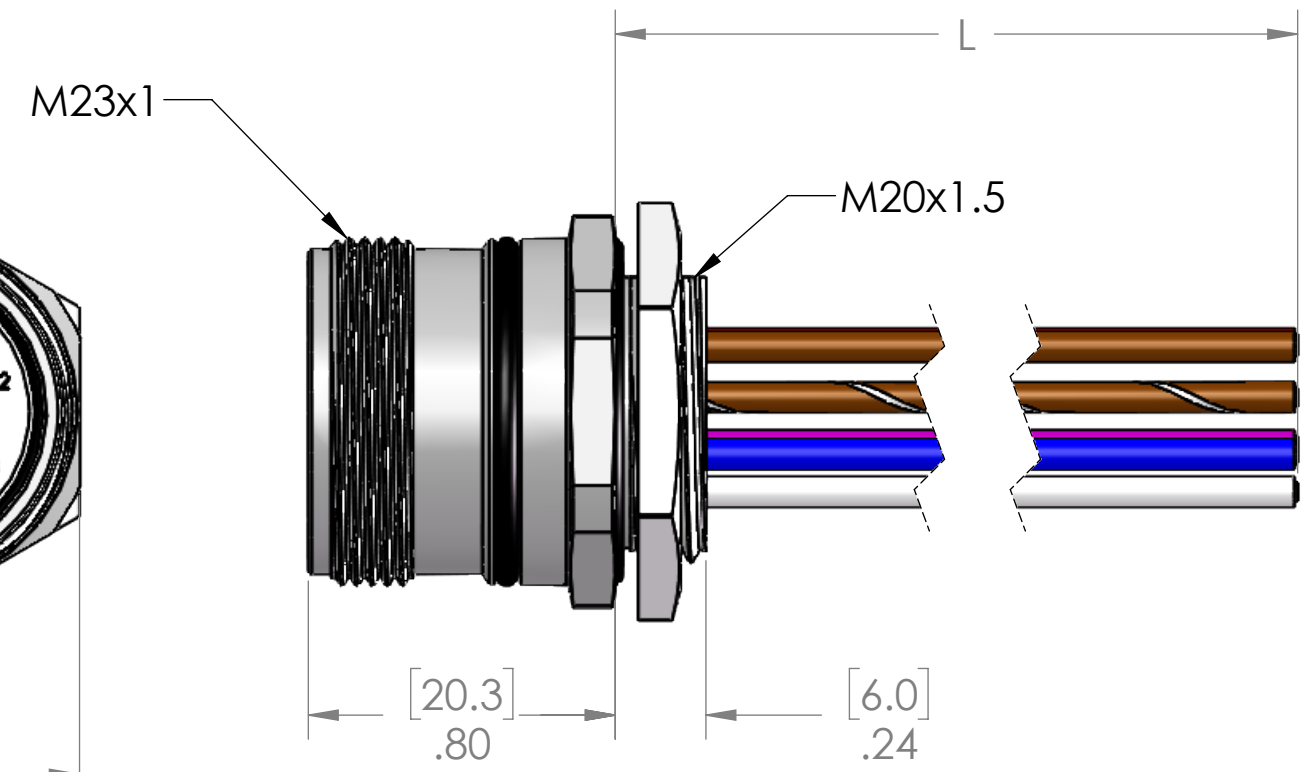
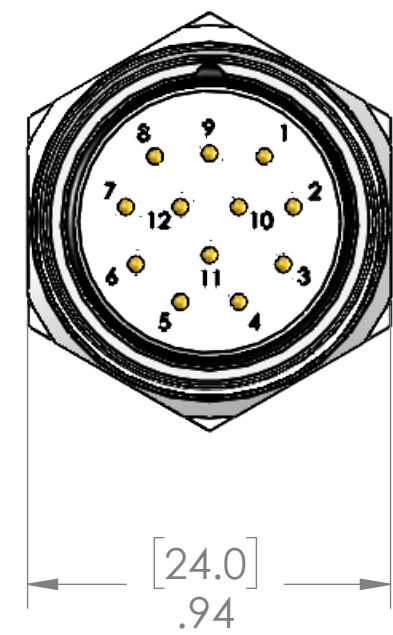
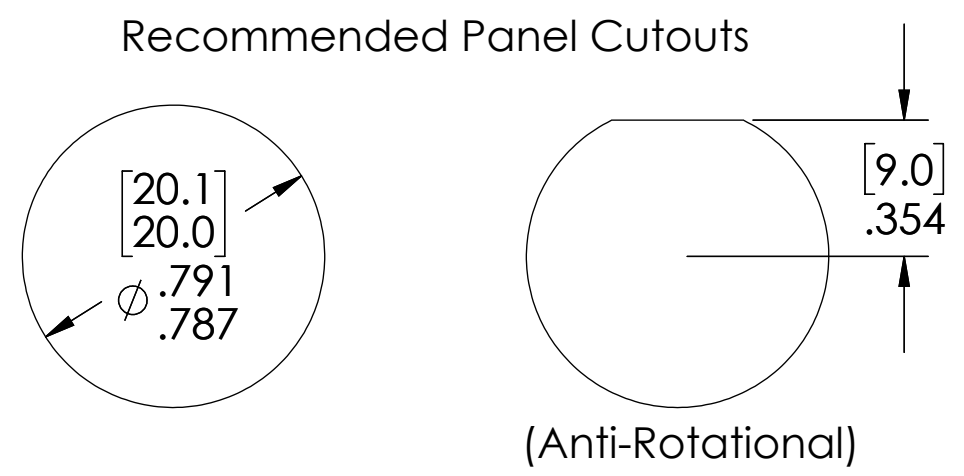


PIN #	COLOR
1	BROWN
2	BROWN/WHITE
3	BLUE
4	WHITE
5	GREEN
6	YELLOW
7	GRAY
8	PINK
9	RED
10	BLACK
11	VIOLET
12	GREEN w/YELLOW



MATERIALS	
SHELL:	NICKEL PLATED BRASS
CONTACTS:	GOLD PLATED COPPER ALLOY
WIRES:	
STYLE:	UL 1007/1569
AWG:	18 AWG
JACKET:	PVC
VOLTAGE:	300V
INSERT:	PBT
O-RING:	NBR
NUT:	NICKEL PLATED BRASS
APPROVALS	
US:	UL LISTED
CANADA:	C-UL LISTED
ROHS:	YES
CE & UKCA:	YES
RATINGS	
PROTECTION CLASS:	IEC IP69



PART NUMBER	L
MCV-12MR-0.3M-M20	12" [0.3m]
MCV-12MR-0.5M-M20	20" [0.5m]
MCV-12MR-0.6M-M20	24" [0.6m]
MCV-12MR-1M-M20	40" [1m]
MCV-12MR-2M-M20	79" [2m]
MCV-12MR-3M-M20	118" [3m]
MCV-12MR-4M-M20	157" [4m]
MCV-12MR-5M-M20	197" [5m]
MCV-12MR-6M-M20	236" [6m]
MCV-12MR-10M-M20	393" [10m]

OTHER LENGTHS AVAILABLE,  
PLEASE CONSULT FACTORY

UNLESS OTHERWISE SPECIFIED:	DRAWN BY	ADM
DIMENSIONS ARE IN INCHES AND [MM]	DRAWN DATE	08/30/2023
	CHECKED BY	JJH
	CHECK DATE	08/30/2023
	COMMENTS:	
MATERIAL		
FINISH		
DO NOT SCALE DRAWING		

MENCOM CORPORATION		
TITLE: 12 PL M23 MAL M20 RCP		
SIZE	DWG. NO.	REV
<b>B</b>	MCV-12MR-ZZ-M20	<b>C</b>
SCALE: 2:1	WEIGHT:	SHEET 1 OF 1

**PROPRIETARY AND CONFIDENTIAL**  
THE INFORMATION CONTAINED IN THIS DRAWING IS THE SOLE PROPERTY OF MENCOM CORPORATION. ANY REPRODUCTION IN PART OR AS A WHOLE WITHOUT THE WRITTEN PERMISSION OF MENCOM CORPORATION IS PROHIBITED.

VOLTS	300V
AMPS	6A
TEMP:	105°C