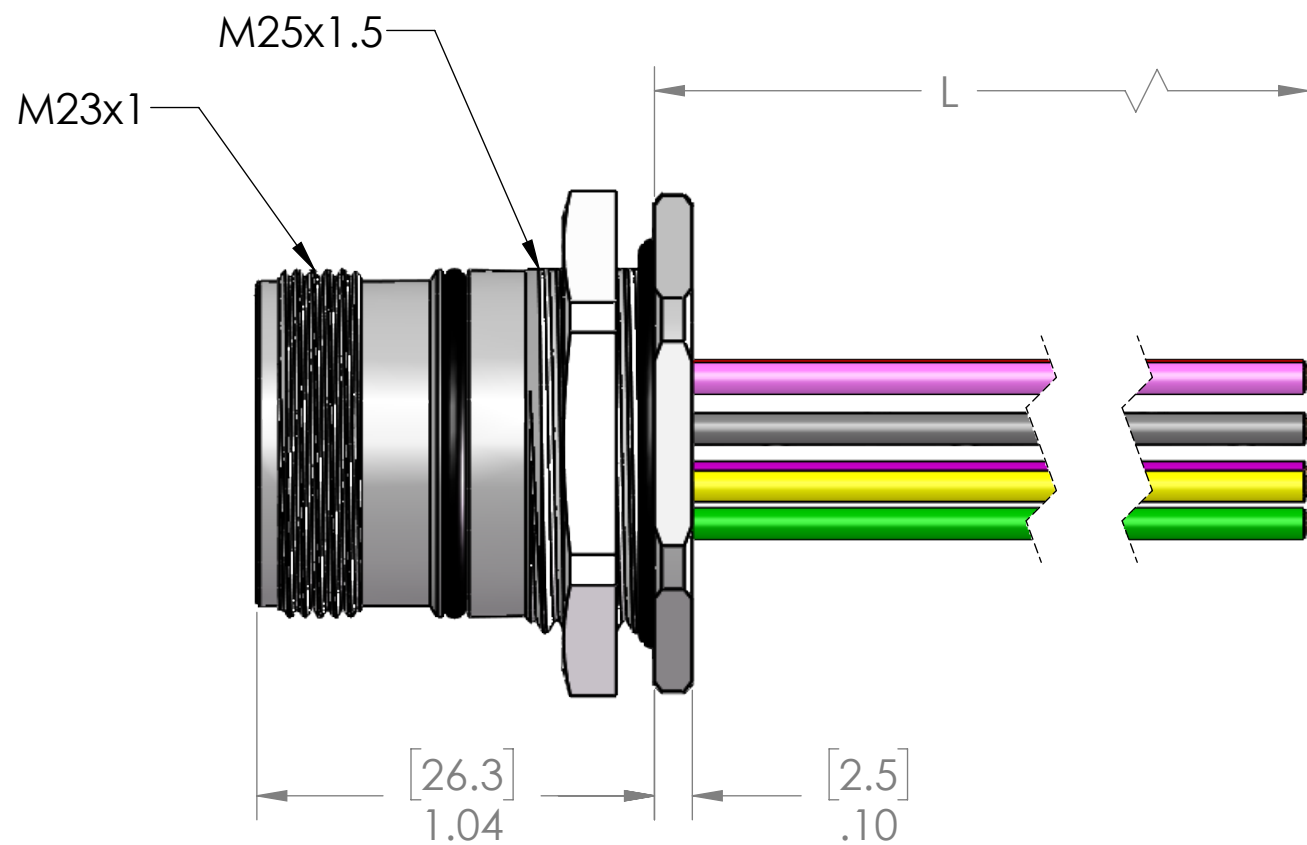
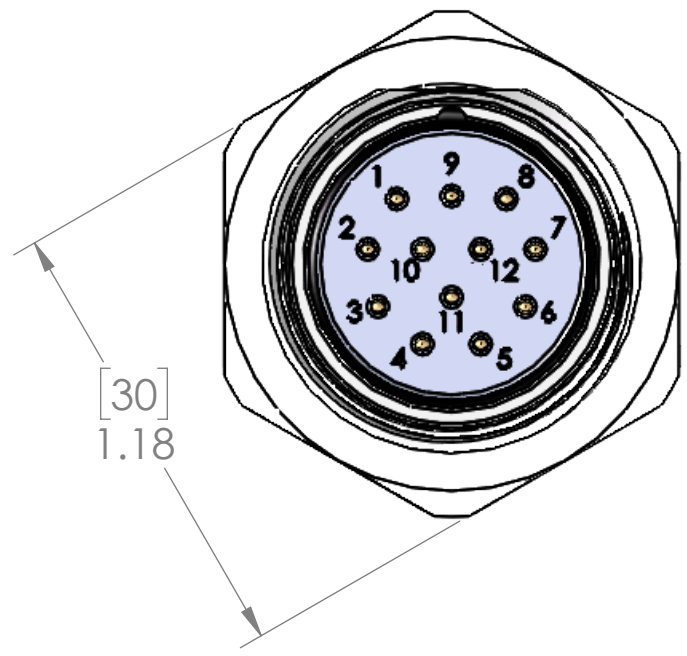


PIN #	COLOR	PIN #	COLOR
1	BROWN	7	GRAY
2	BROWN/WHITE	8	PINK
3	BLUE	9	RED
4	WHITE	10	BLACK
5	GREEN	15	VIOLET
6	YELLOW	16	GREEN / YELLOW



MATERIALS	
SHELL:	NICKEL PLATED BRASS
CONTACTS:	GOLD PLATED COPPER ALLOY
WIRES:	
STYLE:	UL 1007/1569
AWG:	18 AWG
JACKET:	PVC
VOLTAGE:	300V
INSERT:	PBT
O-RING:	NBR
NUT:	NICKEL PLATED BRASS
APPROVALS	
US:	UL LISTED
CANADA:	C-UL LISTED
ROHS:	YES
CE & UKCA:	YES
RATINGS	
PROTECTION CLASS:	IEC IP69

SUGGESTED CUT-OUTS

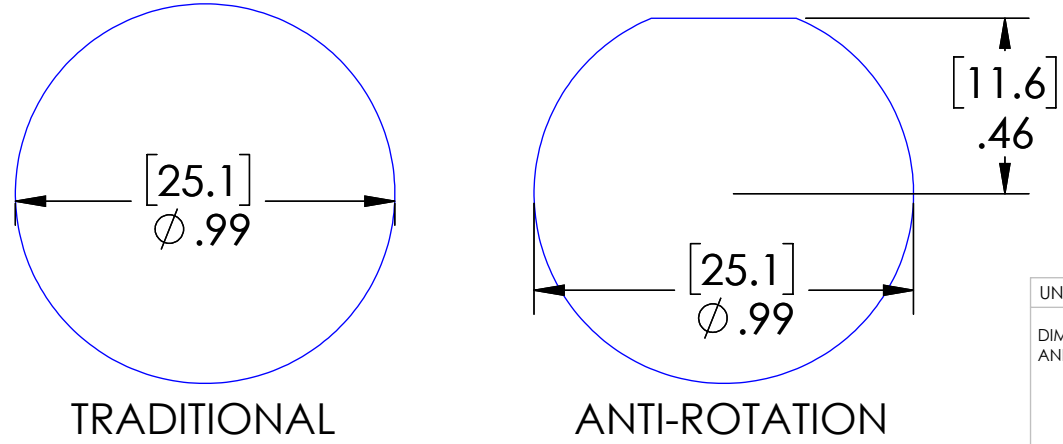


TABLE A	
P/N	L
MCV-12FR-0.3M-BM	12" [0.3M]
MCV-12FR-0.5M-BM	20" [0.5M]
MCV-12FR-0.6M-BM	24" [0.6M]
MCV-12FR-1M-BM	40" [1M]
MCV-12FR-2M-BM	79" [2M]
MCV-12FR-3M-BM	118" [3M]
MCV-12FR-5M-BM	197" [5M]

OTHER LENGTHS ARE AVAILABLE
PLEASE CONSULT FACTORY

UNLESS OTHERWISE SPECIFIED: DIMENSIONS ARE IN INCHES AND [MM]	DRAWN BY	ADM
	DRAWN DATE	08/29/2023
	CHECKED BY	JJH
	CHECK DATE	08/29/2023
COMMENTS:		
MATERIAL		
FINISH		
DO NOT SCALE DRAWING		

MENCOM CORPORATION		
TITLE: 12 PL FEM M23 MAL RCP		
SIZE	DWG. NO.	REV
B	MCV-12FR-ZZ-BM	B
SCALE: 2:1	WEIGHT:	SHEET 1 OF 1

PROPRIETARY AND CONFIDENTIAL
THE INFORMATION CONTAINED IN THIS
DRAWING IS THE SOLE PROPERTY OF
MENCOM CORPORATION. ANY
REPRODUCTION IN PART OR AS A WHOLE
WITHOUT THE WRITTEN PERMISSION OF
MENCOM CORPORATION IS
PROHIBITED.

VOLTS	300V
AMPS	6A
TEMP:	105°C