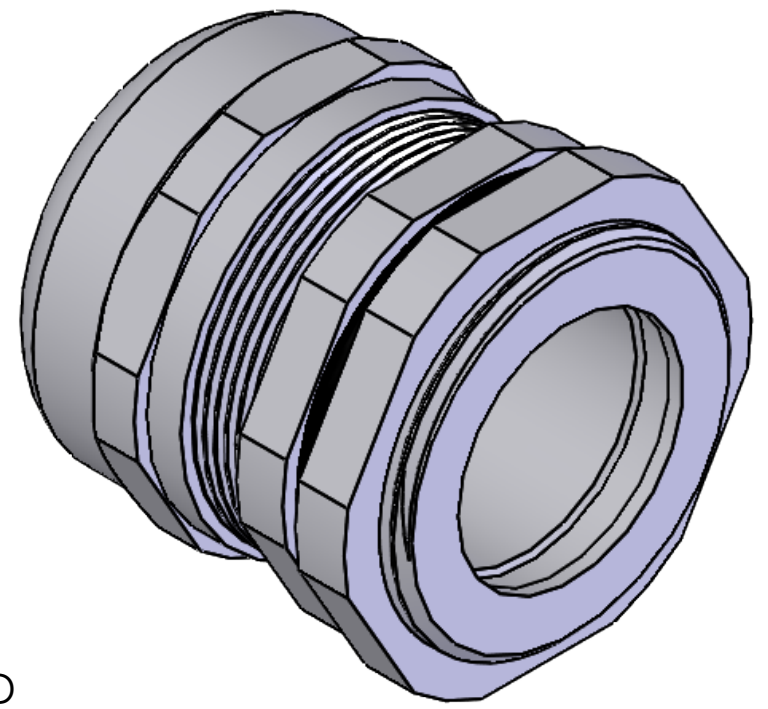
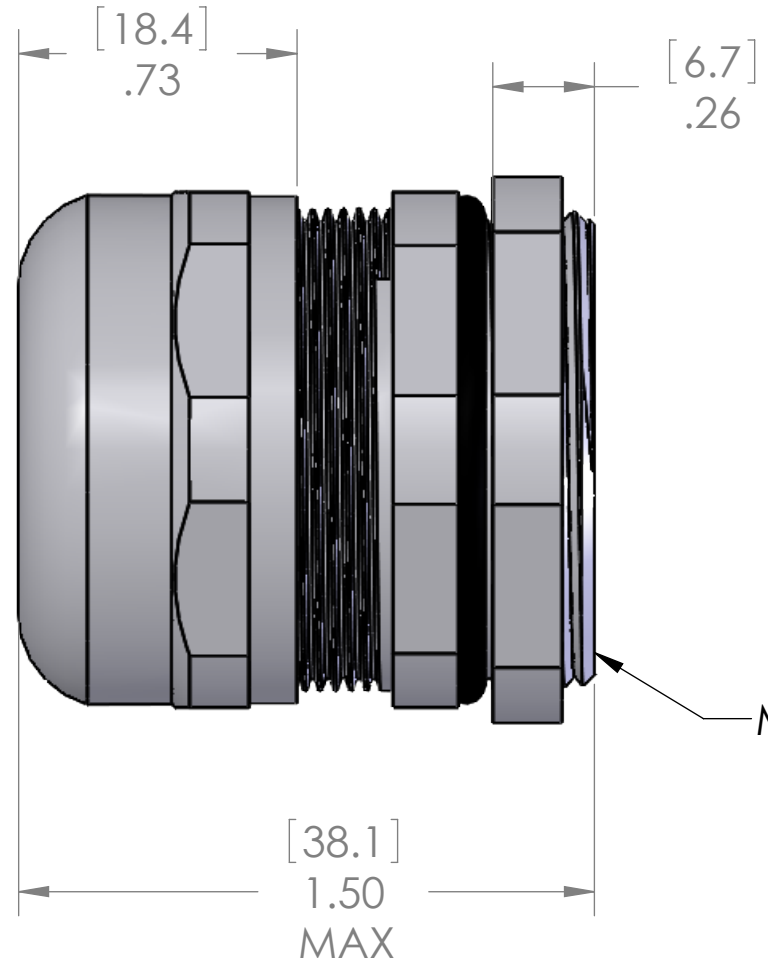
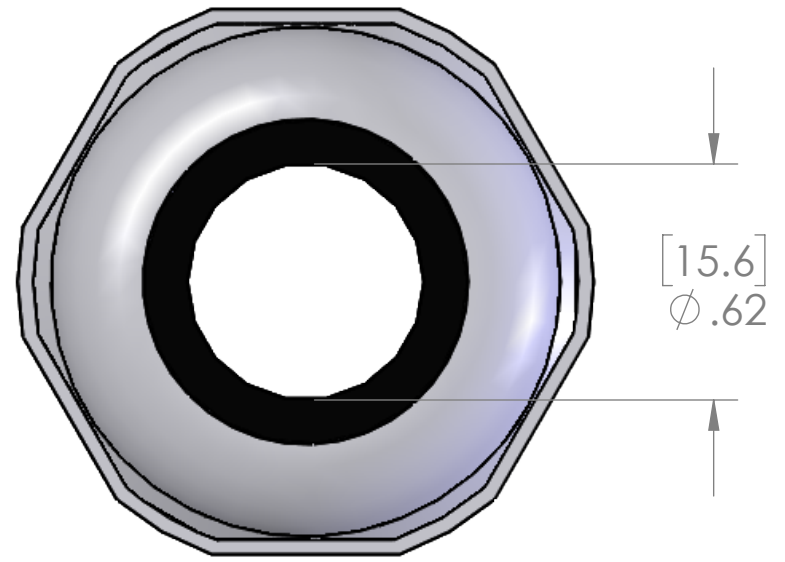




This is a shielding cable gland. For cables with a shield, the shield needs to be folded slightly around the gray plastic insert to allow the shield to be pinched between the gray plastic insert and the bottom of the gland.

Revisions			
REV.	DESCRIPTION	DATE	DRAWN BY
A	DRAWN IN SW	2/25/2020	DCG
B	UPDATED SEALING RANGE	1/26/2024	DCG



M32x1.5 THREAD

SEALING RANGE: .551 - .787 (14-20 MM)  
 SEAL RATED TO: IP68  
 RECOMMENDED HOLE: 32.5MM

MATERIALS:	
BODY:	NICKEL PLATED BRASS
INSERT:	POLYAMIDE
GROMMET:	NEOPRENE
LOCK NUT:	NICKEL PLATED BRASS
O-RING:	BUNA-N
SPECIFICATIONS:	
TEMPERATURE:	-20°C - +100°C
APPROVALS:	
U.S.	UL RECOGNIZED
CANADA	C-UL RECOGNIZED

**PROPRIETARY AND CONFIDENTIAL**  
 THE INFORMATION CONTAINED IN THIS DRAWING IS THE SOLE PROPERTY OF MENCOM CORPORATION. ANY REPRODUCTION IN PART OR AS A WHOLE WITHOUT THE WRITTEN PERMISSION OF MENCOM CORPORATION IS PROHIBITED.

UNLESS OTHERWISE SPECIFIED:	DRAWN BY	DCG
DIMENSIONS ARE IN INCHES AND [MM]	DRAWN DATE	01/26/2024
	CHECKED BY	DWM
	CHECK DATE	01/26/2024
MATERIAL	COMMENTS:	
FINISH		
DO NOT SCALE DRAWING		

MENCOM CORPORATION		
TITLE: M32 SHLD CG OD 14-21MM		
SIZE <b>B</b>	DWG. NO. MCGB-M32	REV <b>B</b>
SCALE: 3:1	WEIGHT:	SHEET 1 OF 1