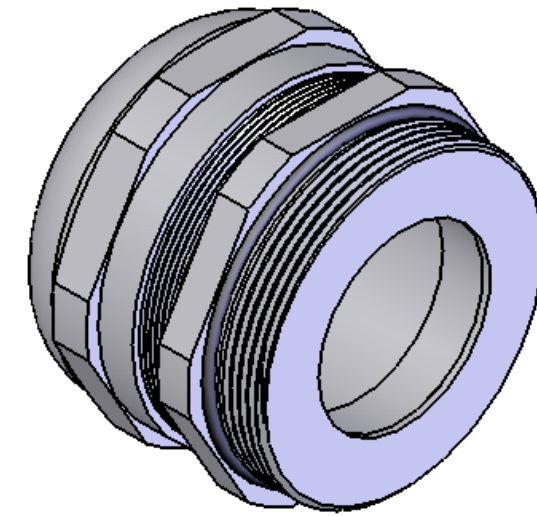
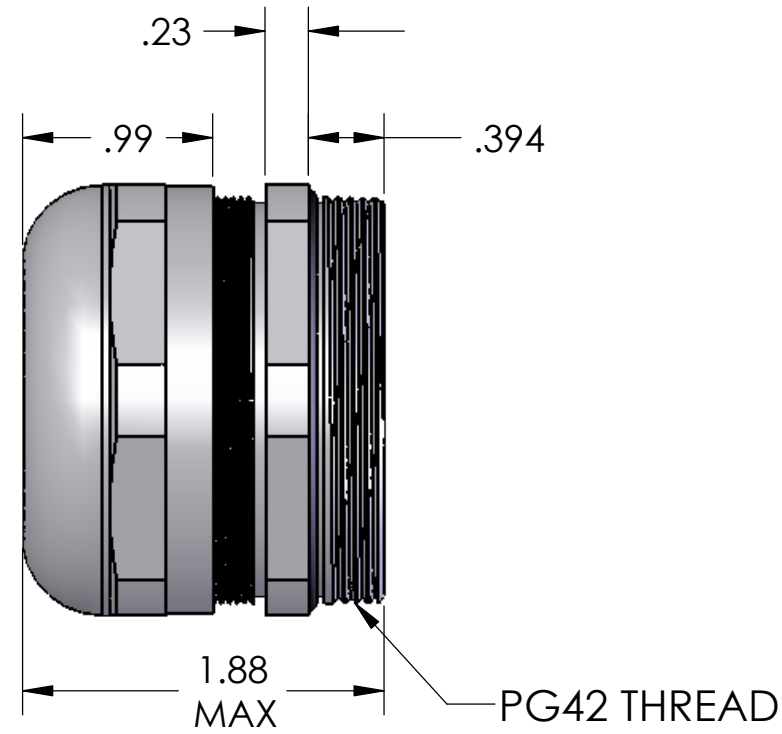
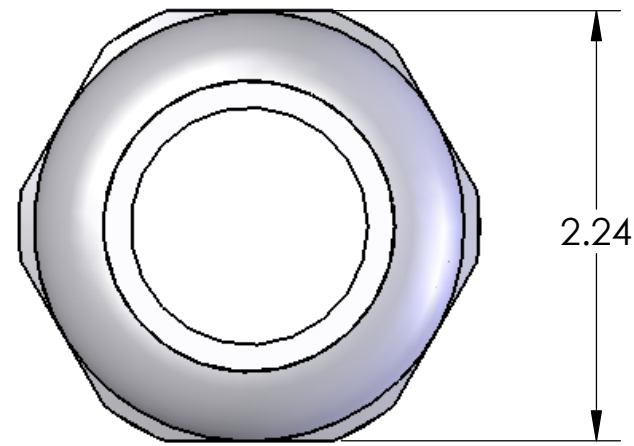


REVISIONS			
REV.	DESCRIPTION	DATE	APPROVED
A	REDRAWN IN NEW CAD	12/2/2004	



LOCK NUT INCLUDED BUT NOT SHOWN

SEALING RANGE: 0.984 - 1.22 (25 - 31 MM)
SEAL RATED AT IP 68

MATERIALS:	
BODY:	NICKEL PLATED BRASS
INSERT:	POLYAMIDE
GROMMET:	NEOPRENE
LOCK NUT:	NICKEL PLATED BRASS
O-RING:	BUNA-N

PROPRIETARY AND CONFIDENTIAL
THE INFORMATION CONTAINED IN THIS DRAWING IS THE SOLE PROPERTY OF MENCOM CORPORATION. ANY REPRODUCTION IN PART OR AS A WHOLE WITHOUT THE WRITTEN PERMISSION OF MENCOM CORPORATION IS PROHIBITED.

UNLESS OTHERWISE SPECIFIED:		NAME	MENCOM CORPORATION	
DIMENSIONS ARE IN INCHES		DRAWN	BEM	
		CHECKED		
		ENG APPR.		
		MFG APPR.		
		Q.A.		
		COMMENTS:		
MATERIAL		TITLE:		
FINISH		SIZE		REV
DO NOT SCALE DRAWING		DWG. NO. B MCGB-42R		A
		SCALE: 1:1	WEIGHT:	SHEET 1 OF 1