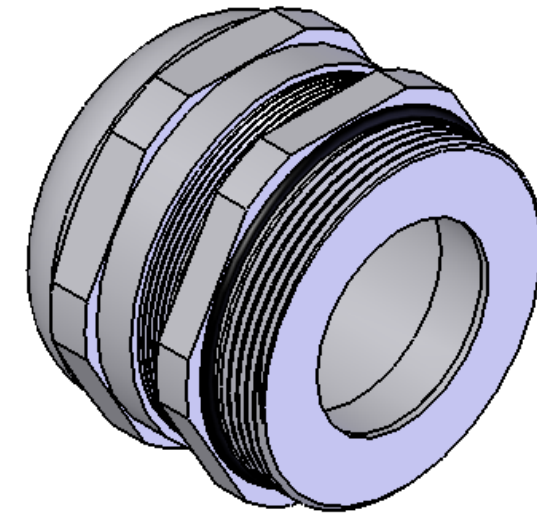
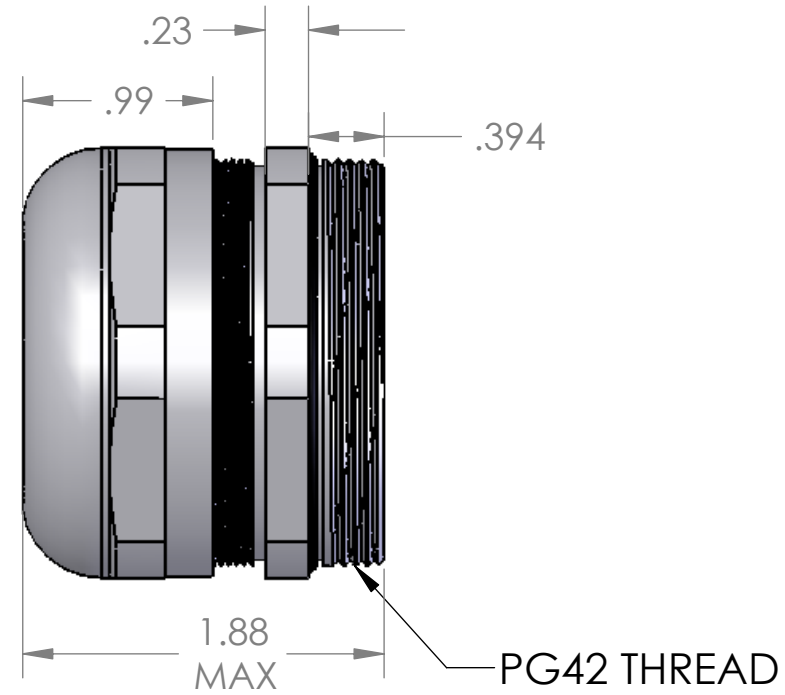
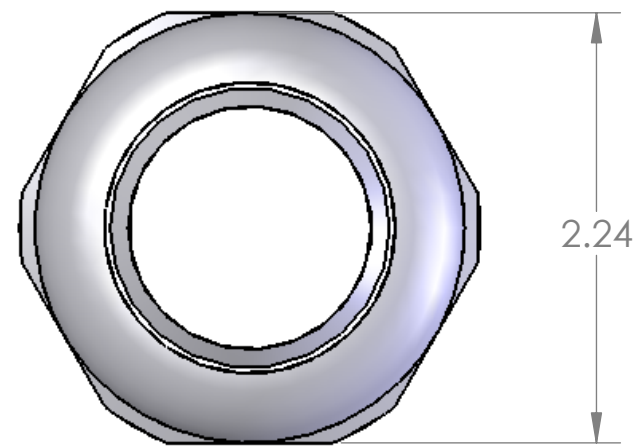


REVISIONS			
REV.	DESCRIPTION	DATE	APPROVED
A	REDRAWN IN SW	6/1/2006	



LOCK NUT INCLUDED BUT NOT SHOWN

SEAL RATED AT IP 68

SPECIFICATIONS:	
TIGHTENING TORQUE:	10 Nm
TEMPERATURE:	-20°C - +100°C

PART NUMBER	SEALING RANGE
MCG-42	1.18 - 1.50 [30 - 38 mm]
MCG-42R	.984 - 1.22 [25 - 31 mm]

MATERIALS:	
BODY:	NICKEL PLATED BRASS
INSERT:	POLYAMIDE
GROMMET:	NEOPRENE
LOCK NUT:	NICKEL PLATED BRASS
O-RING:	BUNA-N

PROPRIETARY AND CONFIDENTIAL
 THE INFORMATION CONTAINED IN THIS DRAWING IS THE SOLE PROPERTY OF MENCOM CORPORATION. ANY REPRODUCTION IN PART OR AS A WHOLE WITHOUT THE WRITTEN PERMISSION OF MENCOM CORPORATION IS PROHIBITED.

UNLESS OTHERWISE SPECIFIED:		NAME		MENCOM CORPORATION	
DIMENSIONS ARE IN INCHES		DRAWN	DWM	TITLE:	
		CHECKED			
		ENG APPR.			
		MFG APPR.			
		Q.A.			
		COMMENTS:			
MATERIAL				SIZE	DWG. NO.
FINISH				B	MCG-42
DO NOT SCALE DRAWING				SCALE: 1:1	WEIGHT:
				REV A	
				SHEET 1 OF 1	