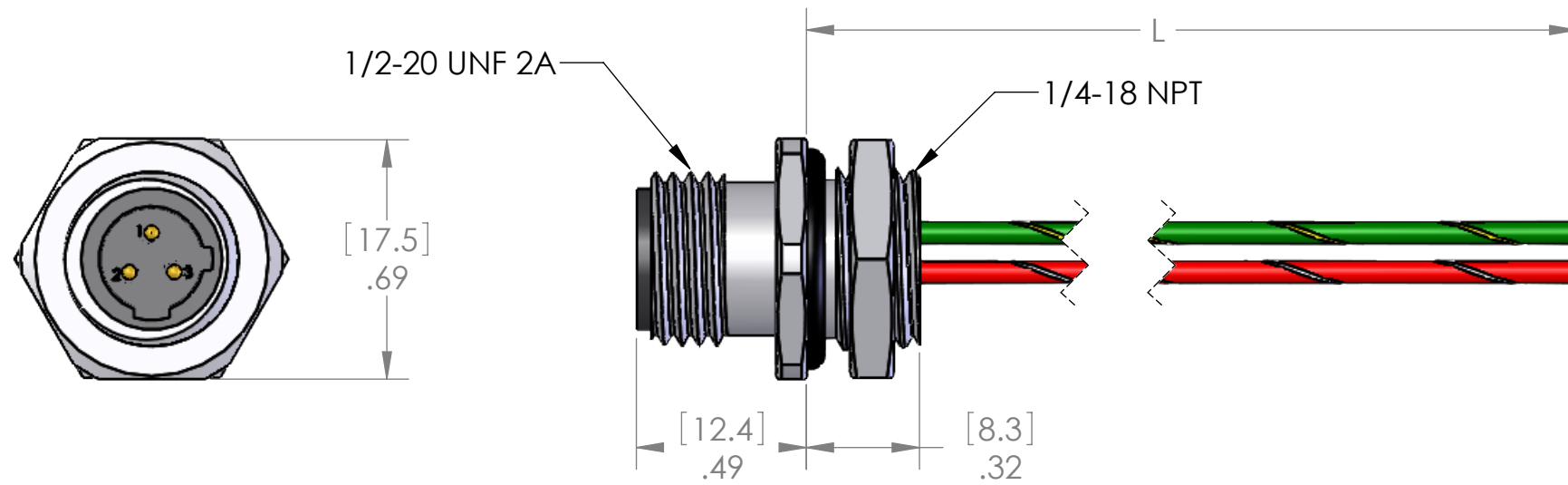


PIN #	COLOR
1	GREEN / YELLOW
2	RED w/BLACK
3	RED w/WHITE



P/N	L
MAC-3MR-4	12" [0.3m]
MAC-3MR-4-0.5M	20" [0.5m]
MAC-3MR-4-0.6M	24" [0.6m]
MAC-3MR-4-1M	40" [1.0m]
MAC-3MR-4-2M	79" [2.0m]
MAC-3MR-4-3M	118" [3.0m]
MAC-3MR-4-4M	157" [4.0m]
MAC-3MR-4-5M	193" [5.0m]

OTHER LENGTHS ARE AVAILABLE  
PLEASE CONSULT FACTORY

<b>MATERIALS</b>	
SHELL:	NICKEL PLATED BRASS
CONTACTS:	GOLD PLATED COPPER ALLOY
WIRES:	
STYLE:	UL 1007/1569
AWG:	22 AWG
JACKET:	PVC
VOLTAGE:	300V
INSERT:	POLYAMIDE
O-RING:	NBR
NUT:	ZINC PLATED STEEL
<b>APPROVALS</b>	
US:	UL LISTED
CANADA:	C-UL LISTED
ROHS:	YES
CE & UKCA:	YES
<b>RATINGS</b>	
PROTECTION CLASS:	UL TYPE 4 & 12, IEC IP69

**PROPRIETARY AND CONFIDENTIAL**  
THE INFORMATION CONTAINED IN THIS DRAWING IS THE SOLE PROPERTY OF MENCOM CORPORATION. ANY REPRODUCTION IN PART OR AS A WHOLE WITHOUT THE WRITTEN PERMISSION OF MENCOM CORPORATION IS PROHIBITED.

VOLTS	300V
AMPS	4A
TEMP:	105°C

UNLESS OTHERWISE SPECIFIED: DIMENSIONS ARE IN INCHES AND [MM]	DRAWN BY	ADM
	DRAWN DATE	08/02/2023
	CHECKED BY	JJH
	CHECK DATE	08/03/2023
COMMENTS:		
MATERIAL		
FINISH		
DO NOT SCALE DRAWING		

MENCOM CORPORATION		
TITLE: 3 PL MAL RCP 1/4" NPT		
SIZE	DWG. NO.	REV
<b>B</b>	MAC-3MR-4-ZZ	<b>B</b>
SCALE: 2:1	WEIGHT:	SHEET 1 OF 1