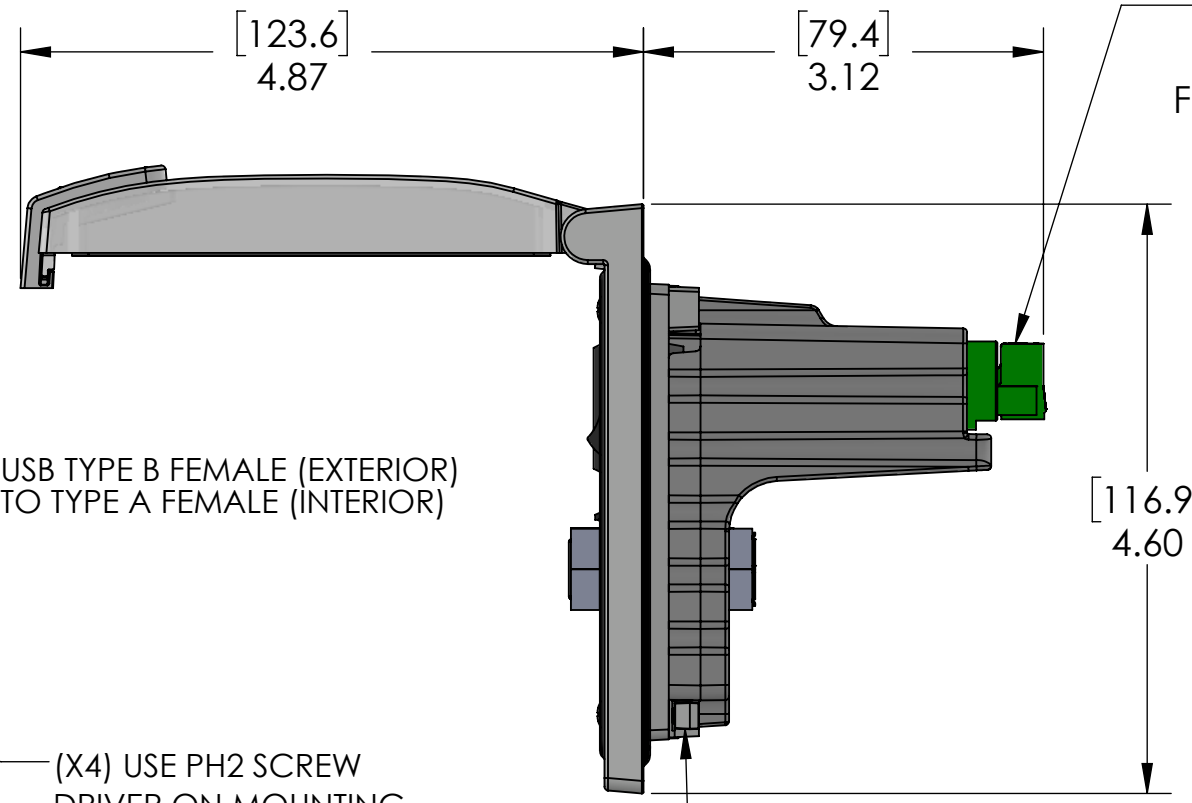
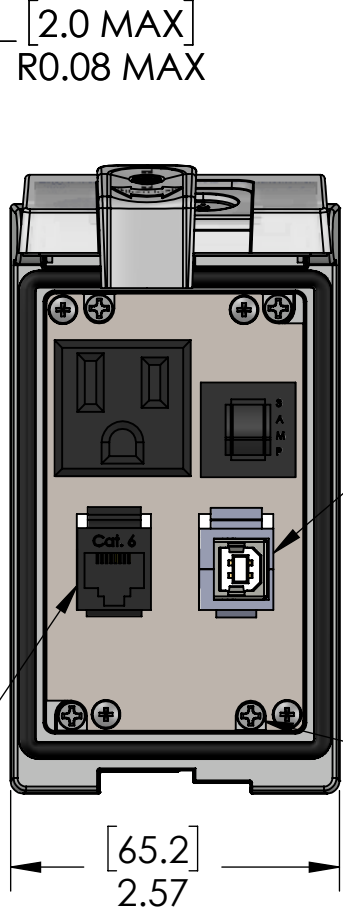
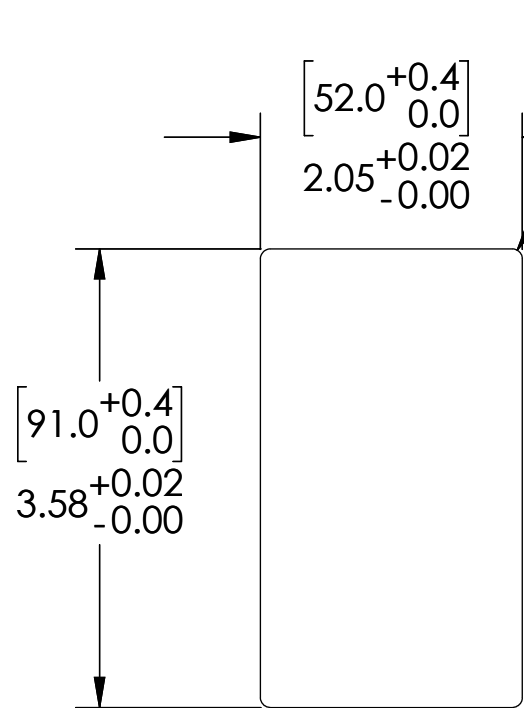
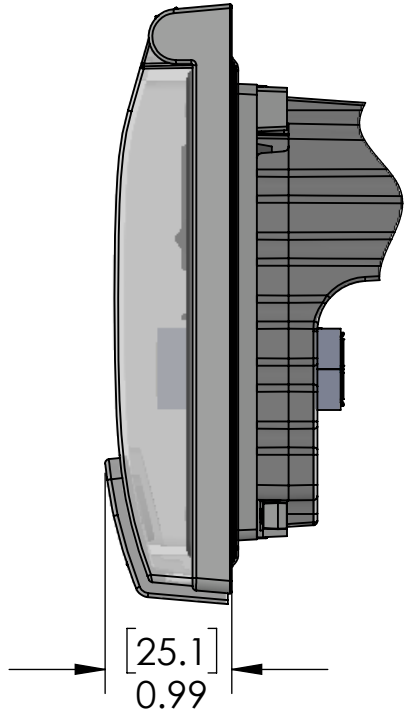


PANEL CUTOUT



3 POLE PLUGGABLE  
TERMINAL BLOCK  
FOR INCOMING POWER



RJ45 Cat 6 Jack  
EXTERIOR/INTERIOR

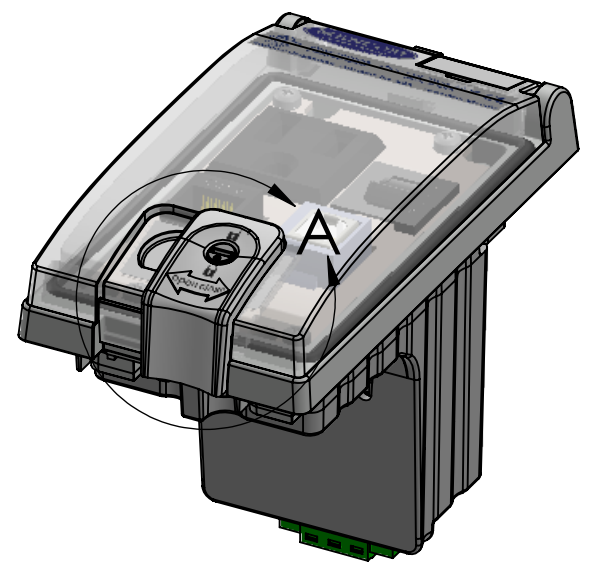
USB TYPE B FEMALE (EXTERIOR)  
TO TYPE A FEMALE (INTERIOR)

(X4) USE PH2 SCREW  
DRIVER ON MOUNTING  
SCREWS. (REF. MOUNTING  
SCREW TORQUE)

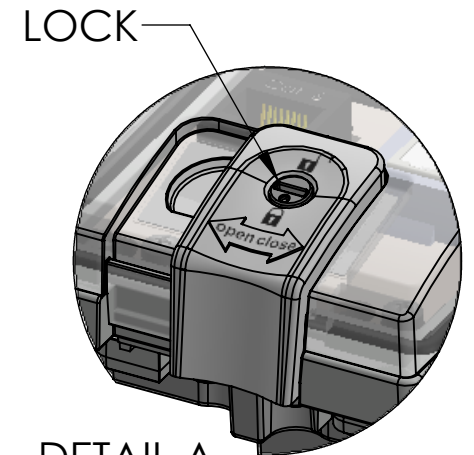
ROTATE TWO TURNS COUNTER  
CLOCKWISE TO RELEASE THE  
TURN BUCKLE PRIOR TO TIGHTENING

TURN BUCKLES ROTATE 90 DEG. INTO  
THEIR CLAMPING POSITION AS  
MOUNTING SCREWS TIGHTEN.  
DO NOT OVER-TORQUE!

These devices shall be mounted on enclosures having adequate strength and thickness and with adequate spacing provided. Seal rating is based on mounting to a surface that is clean, flat and smooth.



SLIDE LATCH TO OPEN/CLOSE  
ROTATE LOCK TO LOCK CLOSED



DETAIL A  
SCALE 1 : 1



OPERATING TEMPERATURE: (-10°C / +60° C (+14° F / +140° F ))	
HOUSING MATERIALS	
BODY:	NICKEL PLATED ZINC
GASKETS:	PUR FIPG
FRONT COVER:	POLYCARBONATE
LATCH & LOCK:	PBT
BACK COVER:	POLYPROPYLENE
UNLESS OTHERWISE SPECIFIED:	
DIMENSIONS ARE IN INCHES AND [MM]	
MATERIAL	
FINISH	
DO NOT SCALE DRAWING	

PIC RATINGS/SPECIFICATIONS	
VOLTS:	125V
AMPS:	3A
SCCR:	0.2kA
NEMA/UL   EN 60529:	4, 12   IP65
PANEL THICKNESS:	5.0mm max
MOUNTING SCREW TORQUE:	0.8N-m
TERMINAL BLOCK TORQUE:	0.5N-m
INCOMING POWER WIRE SIZE:	0.25 - 2.5 sq mm / 24-12AWG
WIRE STRIP LENGTH:	7 - 8 mm

**PROPRIETARY AND CONFIDENTIAL**  
THE INFORMATION CONTAINED IN THIS DRAWING IS THE SOLE PROPERTY OF MENCOM CORPORATION. ANY REPRODUCTION IN PART OR AS A WHOLE WITHOUT THE WRITTEN PERMISSION OF MENCOM CORPORATION IS PROHIBITED.

DRAWN BY: DG		MENCOM CORPORATION	
DRAWN DATE: 11/25/2020			
CHECKED BY: GO			
CHECK DATE: 11/30/2020		TITLE: SMPLX; RJ45; USB-BA; 3A; LP1	
SIZE: <b>B</b>	DWG. NO.: LP1-DP1-RJ45-USB-BFAF-R	REV: <b>B</b>	
SCALE: 2:3	WEIGHT:	SHEET 1 OF 1	