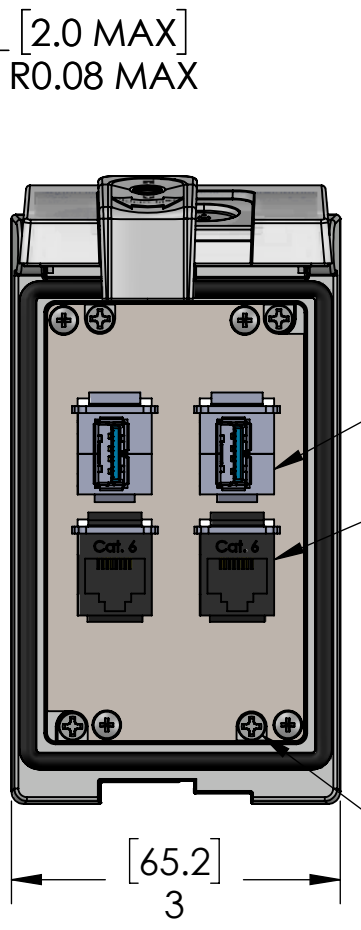
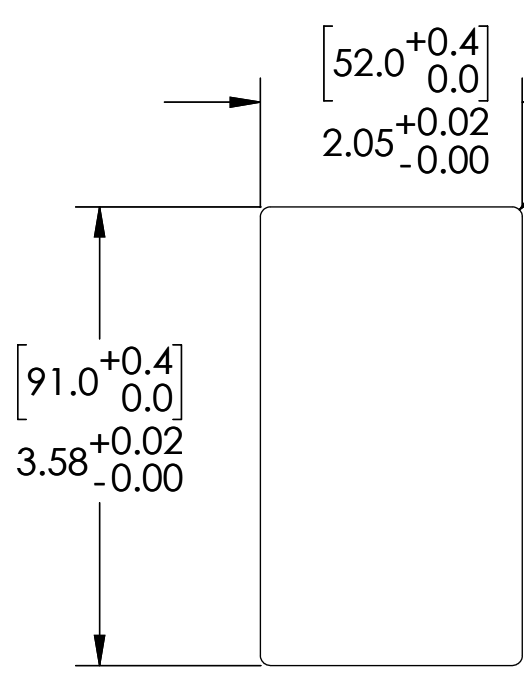


PANEL CUTOUT

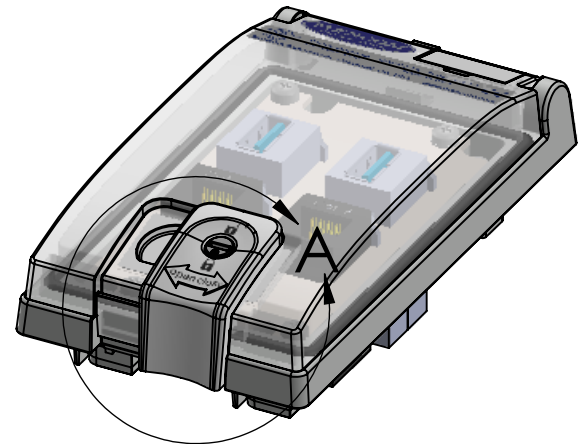
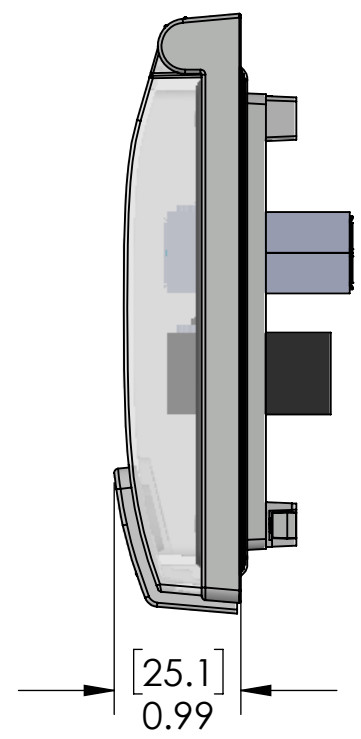
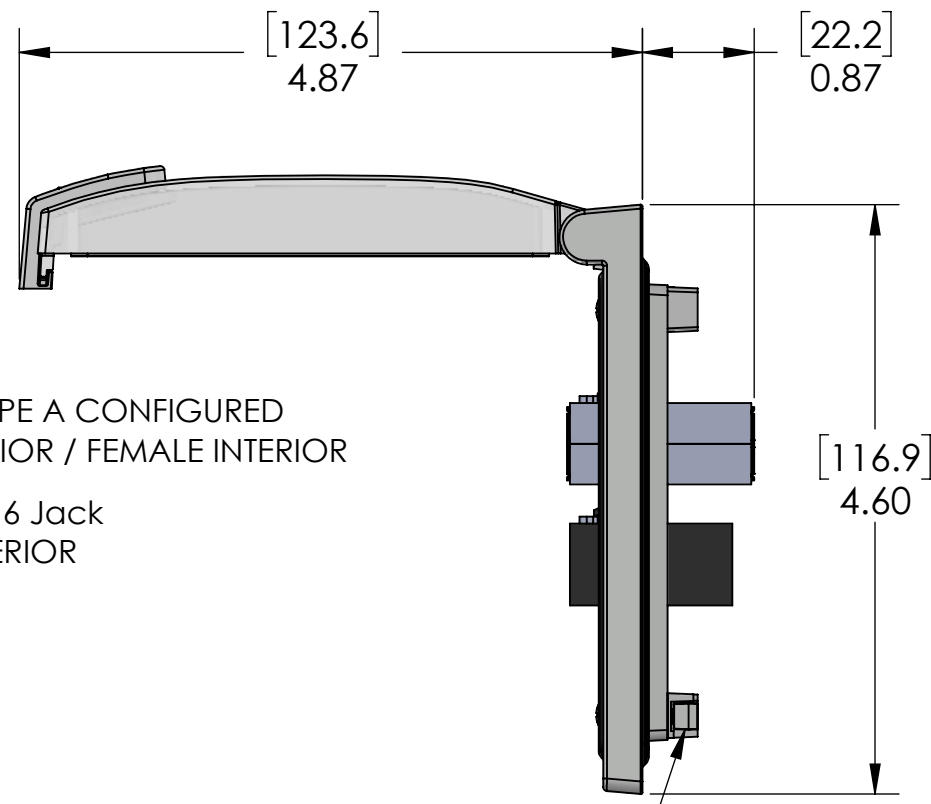


(2X) USB 3.0 TYPE A CONFIGURED FEMALE EXTERIOR / FEMALE INTERIOR  
 (X2) RJ45 Cat 6 Jack EXTERIOR/INTERIOR

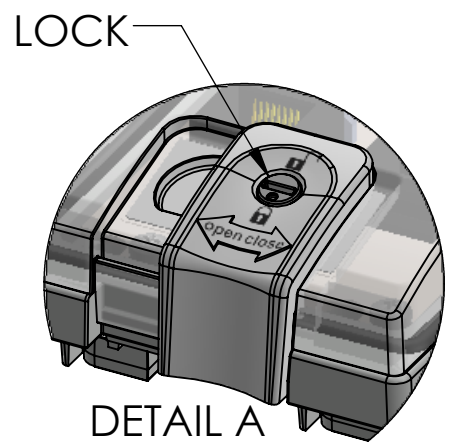
(X4) USE PH2 SCREW DRIVER ON MOUNTING SCREWS. (REF. MOUNTING SCREW TORQUE)

ROTATE TWO TURNS COUNTER CLOCKWISE TO RELEASE THE TURN BUCKLE PRIOR TO TIGHTENING

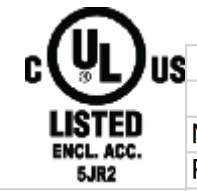
TURN BUCKLES ROTATE 90 DEG. INTO THEIR CLAMPING POSITION AS MOUNTING SCREWS TIGHTEN. DO NOT OVER-TORQUE!



SLIDE LATCH TO OPEN/CLOSE  
 ROTATE LOCK TO LOCK CLOSED



DETAIL A  
 SCALE 1 : 1



These devices shall be mounted on enclosures having adequate strength and thickness and with adequate spacing provided. Seal rating is based on mounting to a surface that is clean, flat and smooth.

PIC RATINGS/SPECIFICATIONS

NEMA/UL   EN 60529:	4, 12   IP65
PANEL THICKNESS:	5.0mm max
MOUNTING SCREW TORQUE:	0.8N-m

OPERATING TEMPERATURE: (-10°C / +60° C (+14° F / +140° F))

HOUSING MATERIALS	
BODY:	NICKEL PLATED ZINC
GASKETS:	PUR FIPG
FRONT COVER:	POLYCARBONATE
LATCH & LOCK:	PBT

UNLESS OTHERWISE SPECIFIED:

DIMENSIONS ARE IN INCHES AND [MM]

MATERIAL

FINISH

DO NOT SCALE DRAWING

DRAWN BY:	DCG
DRAWN DATE:	07/13/2021
CHECKED BY:	DCG
CHECK DATE:	07/16/2021

COMMENTS:

MENCOM CORPORATION

TITLE:  
 2 RJ45; 2 USB-AA; LP1

SIZE	DWG. NO.	REV
<b>B</b>	LP1-2RJ45-2USB-AFAF	<b>B</b>
SCALE: 2:3	WEIGHT:	SHEET 1 OF 1

**PROPRIETARY AND CONFIDENTIAL**  
 THE INFORMATION CONTAINED IN THIS DRAWING IS THE SOLE PROPERTY OF MENCOM CORPORATION. ANY REPRODUCTION IN PART OR AS A WHOLE WITHOUT THE WRITTEN PERMISSION OF MENCOM CORPORATION IS PROHIBITED.