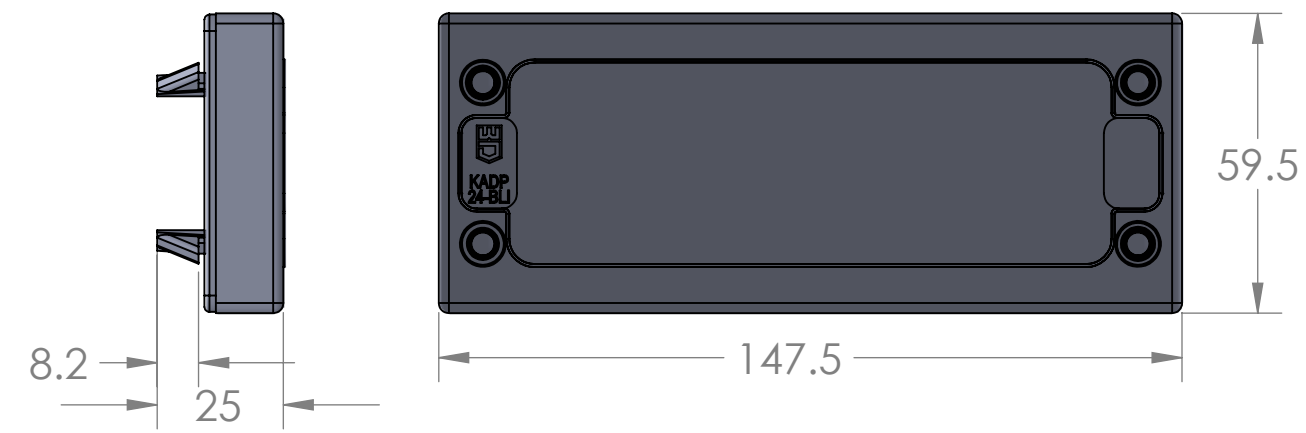
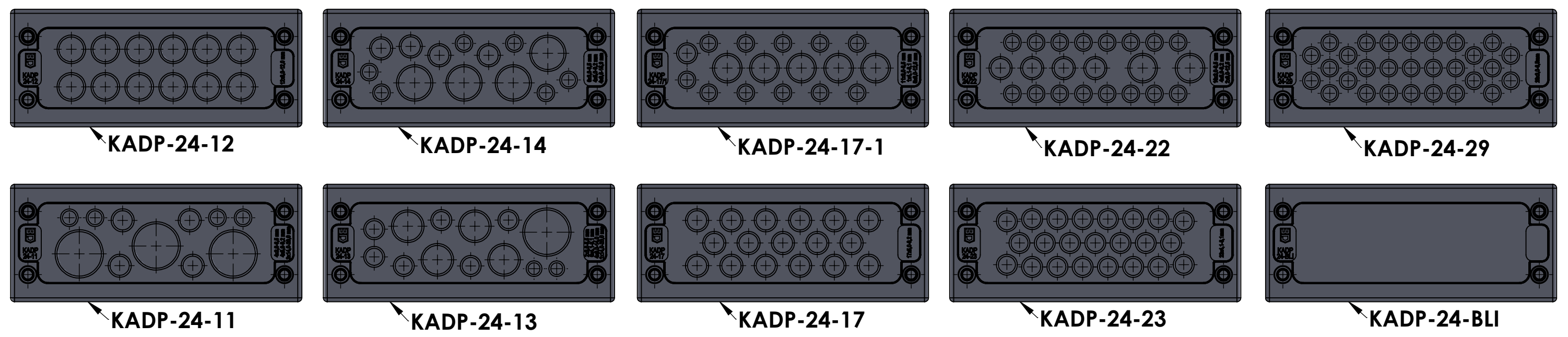


PANEL CUTOUT

PART NUMBER:	# OF ENTRIES	CABLE DIAMETER RANGE										
		1.5 ~ 2.6 MM	2.5 ~ 5.0 MM	3.0 ~ 5.5 MM	3.0 ~ 6.5 MM	4.1 ~ 8.1 MM	5.0 ~ 9.2 MM	8.0 ~ 12.0 MM	8.0 ~ 12.5 MM	9.0 ~ 14.0 MM	9.6 ~ 15.9 MM	14.0 ~ 20.0 MM
KADP-24-11	11				4		4					3
KADP-24-12	12							12				
KADP-24-13	13			2		6				4		1
KADP-24-14	14				6		4				4	
KADP-24-17	17						17					
KADP-24-17-1	17				11	1			5			
KADP-24-22	22				16		4		2			
KADP-24-23	23						23					
KADP-24-29	29				29							
KADP-24-BLI	0											



USABLE ON PANEL CUTOUTS SIZE 24 ILME INDUSTRIAL MULTIPOLE CONNECTORS (112mm x 36mm) MOUNTING IN WALL THICKNESSES FROM 1.5 - 2.0MM. FOR PLATES WITH THICKNESSES GREATER THAN 2.0 MM THE CABLE ENTRY PLATE KADP CAN BE ATTACHED WITH SCREWS.

APPLICATION:
FOR INTRODUCTION OF CABLES, HOSES, PNEUMATIC AND HYDRAULIC LINES

SYSTEM FEATURES:
FAST AND SIMPLE INSTALLATION
UP TO 10 TIMES FASTER THAN WITH CABLE GLANDS
TOOL FREE ENTRY AND CONNECTION
SPACE SAVINGS OF OVER 50%
PUSHOUT MEMBRANES RE-SEAL AFTER CABLES ARE REMOVED
SIMPLE INSERTION OF PLATE WITH LOCKING HOOKS
OPTIONAL FIXING WITH M5 SCREWS
UL / CSA - FILE E140310

MATERIAL SPECIFICATIONS:

RATING:	IP66
BODY:	POLYAMIDE PA6 V-0
ELASTOMERIC PLATE	EPDM
SEALING	TPE
TEMP:	30 C TO +100C (22 F TO +212 F)



PROPRIETARY AND CONFIDENTIAL
THE INFORMATION CONTAINED IN THIS DRAWING IS THE SOLE PROPERTY OF MENCOM CORPORATION. ANY REPRODUCTION IN PART OR AS A WHOLE WITHOUT THE WRITTEN PERMISSION OF MENCOM CORPORATION IS PROHIBITED.

UNLESS OTHERWISE SPECIFIED:
DIMENSIONS ARE IN MM

DRAWN BY:	DCG
DRAWN DATE:	05/30/2017
CHECKED BY:	ADM
CHECK DATE:	05/30/2017
COMMENTS:	
MATERIAL:	
FINISH:	
DO NOT SCALE DRAWING	

MENCOM CORPORATION		
TITLE: KADP MODULAR CABLE ENTRY SYS		
SIZE B	DWG. NO. KADP-ZZ	REV A
SCALE: 1:1	WEIGHT:	SHEET 1 OF 1