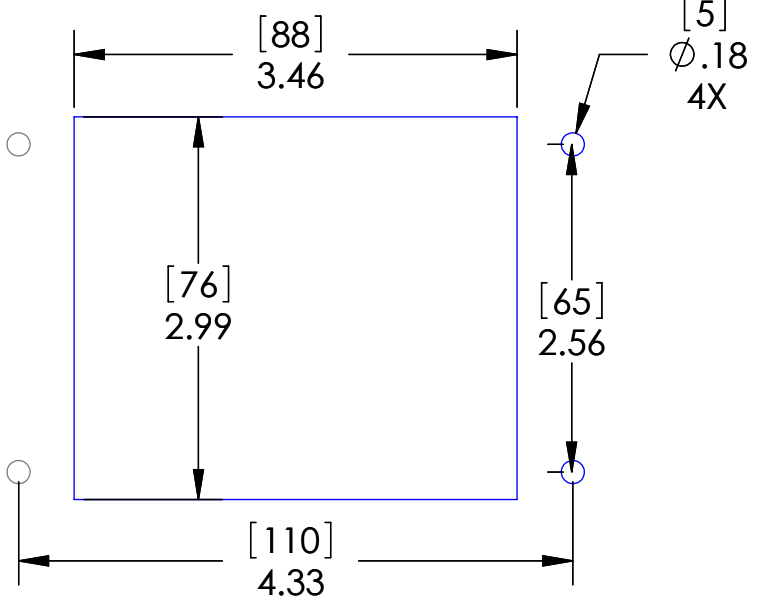


PANEL CUTOUT



STANDARD CONFIGURATIONS UNLESS OTHERWISE NOTED		
CONN. TYPE	EXTERIOR	INTERIOR
ALL D-SUBS	FEMALE	MALE
RJ45	CAT 6 JACK	CAT 6 JACK

**PROPRIETARY AND CONFIDENTIAL**  
 THE INFORMATION CONTAINED IN THIS DRAWING IS THE SOLE PROPERTY OF MENCOM CORPORATION. ANY REPRODUCTION IN PART OR AS A WHOLE WITHOUT THE WRITTEN PERMISSION OF MENCOM CORPORATION IS PROHIBITED.

HOUSING MATERIALS	
BODY:	EPOXY COATED DIE CAST ALUMINUM
GASKET:	THERMOPLASTIC ELASTOMER
HANDLE:	POLYAMIDE
LEVERS:	STAINLESS STEEL

PIC RATINGS/SPECIFICATIONS	
VOLTS:	125V
AMPS:	3A
SCCR:	0.2kA
NEMA/UL   EN 60529:	4, 12   IP65
PANEL THICKNESS:	5.0mm max
MOUNTING SCREW TORQUE:	0.8N-m
TERMINAL BLOCK TORQUE:	0.5N-m
INCOMING POWER WIRE SIZE:	0.25 - 2.5 sq mm / 24-12AWG
WIRE STRIP LENGTH:	7 - 8 mm



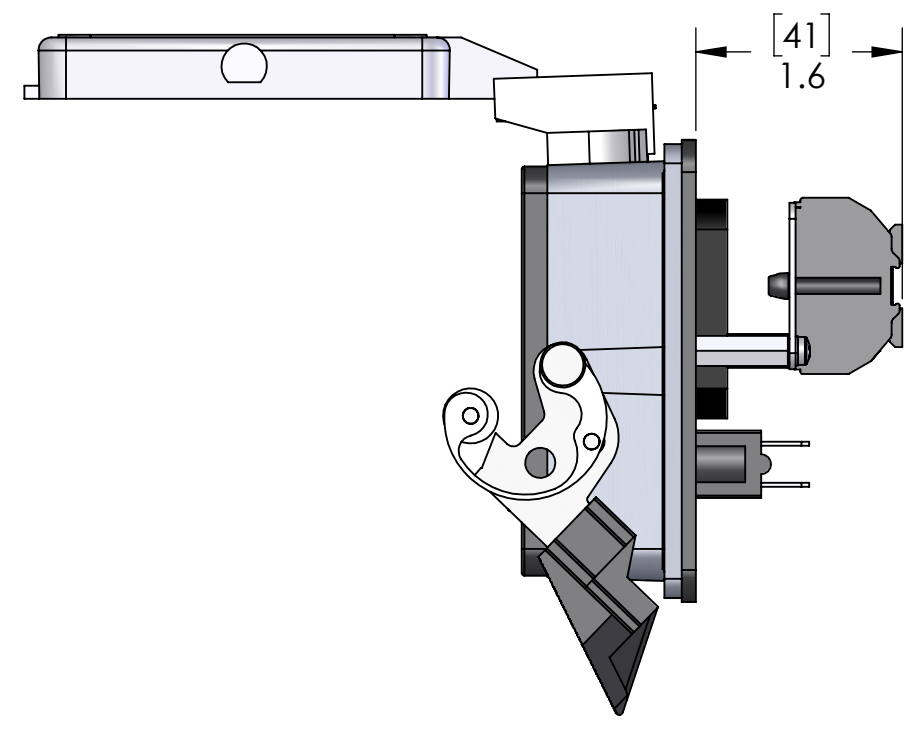
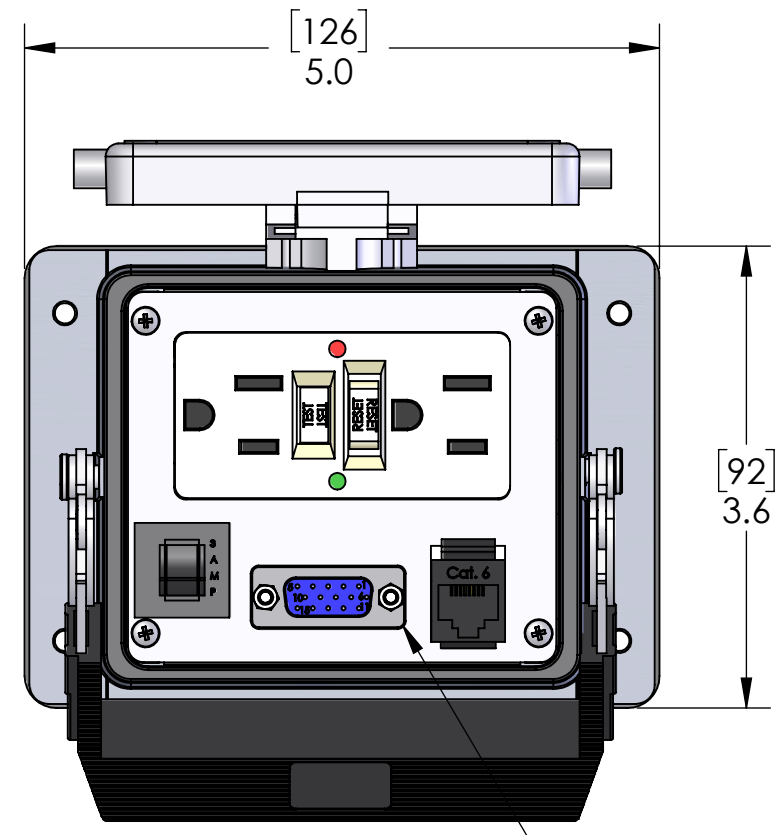
UNLESS OTHERWISE SPECIFIED:  
 DIMENSIONS ARE IN INCHES AND [MM]  
 MATERIAL  
 FINISH  
 DO NOT SCALE DRAWING

DRAWN BY	DCG
DRAWN DATE	11/21/2018
CHECKED BY	GO
CHECK DATE	11/26/2018

MENCOM CORPORATION		
TITLE: GF; DDB15; RJ45; 3A; 32		
SIZE	DWG. NO.	REV
<b>B</b>	GF-DDB15-RJ45-R-32	<b>B</b>
SCALE: 2:3	WEIGHT:	SHEET 1 OF 2

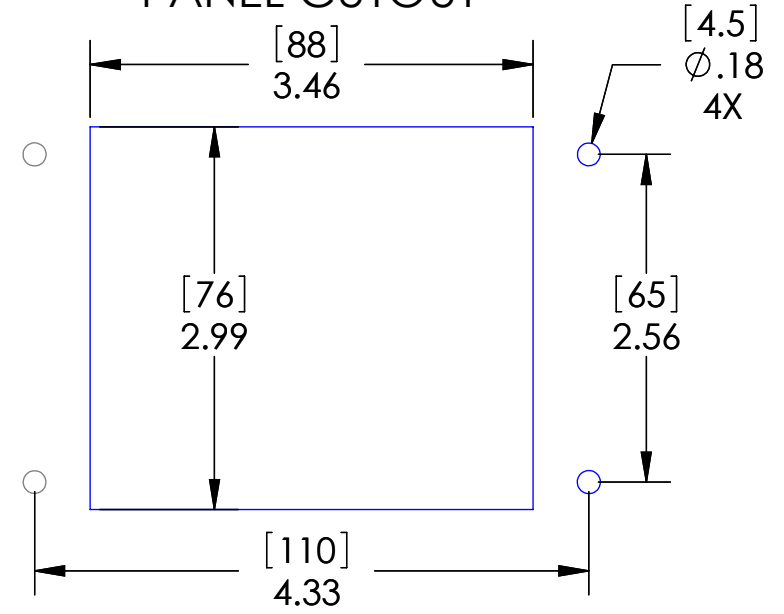
8 7 6 5 4 3 2 1

D  
C  
B  
A



80DDB15MF  
Hi-Density

PANEL CUTOUT



These devices shall be mounted on enclosures having adequate strength and thickness and with adequate spacing provided. Seal rating is based on mounting to a surface that is clean, flat and smooth.

PIC RATINGS/SPECIFICATIONS	
VOLTS:	125V
AMPS:	3A
SCCR:	0.2kA
NEMA/UL   EN 60529:	4, 12   IP65
PANEL THICKNESS:	5.0mm max
MOUNTING SCREW TORQUE:	0.8N-m
TERMINAL BLOCK TORQUE:	0.5N-m
INCOMING POWER WIRE SIZE:	0.25 - 2.5 sq mm / 24-12AWG
WIRE STRIP LENGTH:	7 - 8 mm

HOUSING MATERIALS	
BODY:	EPOXY COATED DIE CAST ALUMINUM
GASKET:	THERMOPLASTIC ELASTOMER
HANDLE:	POLYAMIDE
LEVERS:	STAINLESS STEEL

MOUNTING KIT ORDERED SEPARATELY CONTAINS M4x0.7 SS SCREW, NYLON WASHER, SPLIT LOCKWASHER AND M4 NUT  
P/N: D-PIC-MT



UNLESS OTHERWISE SPECIFIED:

DIMENSIONS ARE IN INCHES AND [MM]

MATERIAL  
FINISH  
DO NOT SCALE DRAWING

DRAWN BY	DCG
DRAWN DATE	11/21/2018
CHECKED BY	GO
CHECK DATE	11/26/2018

MENCOM CORPORATION

TITLE:  
**GF; DDB15; RJ45; 3A; 32**

SIZE	DWG. NO.	REV
<b>B</b>	<b>GF-DDB15-RJ45-R-32</b>	<b>B</b>

SCALE: 2:3    WEIGHT:    SHEET 2 OF 2

STANDARD CONFIGURATIONS UNLESS OTHERWISE NOTED

CONN. TYPE	EXTERIOR	INTERIOR
ALL D-SUBS	FEMALE	MALE
RJ45	CAT 6 JACK	CAT 6 JACK

PROPRIETARY AND CONFIDENTIAL  
THE INFORMATION CONTAINED IN THIS DRAWING IS THE SOLE PROPERTY OF MENCOM CORPORATION. ANY REPRODUCTION IN PART OR AS A WHOLE WITHOUT THE WRITTEN PERMISSION OF MENCOM CORPORATION IS PROHIBITED.

8 7 6 5 4 3 2 1