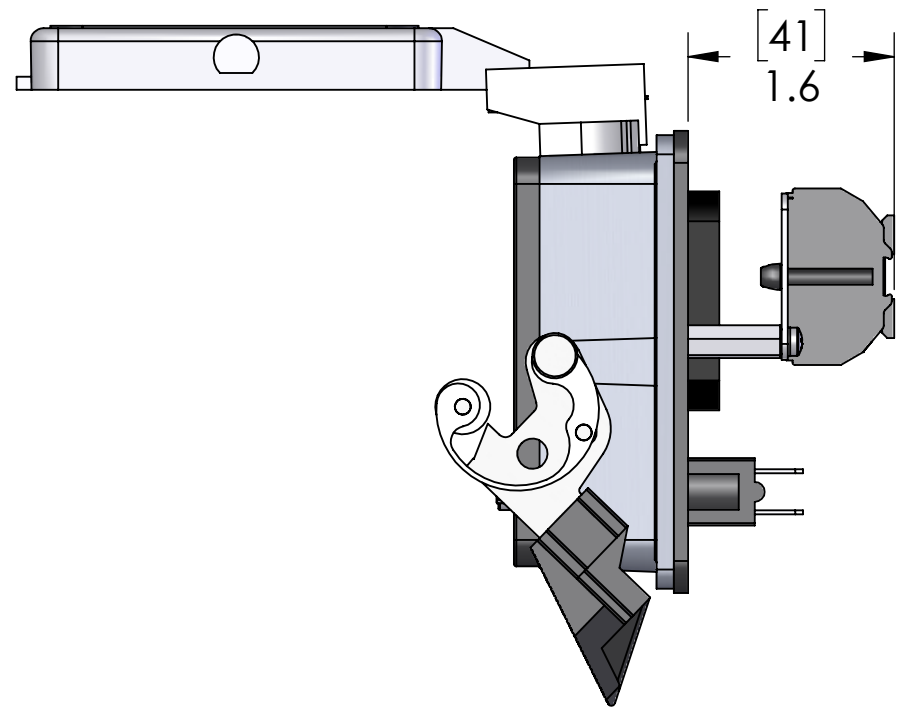
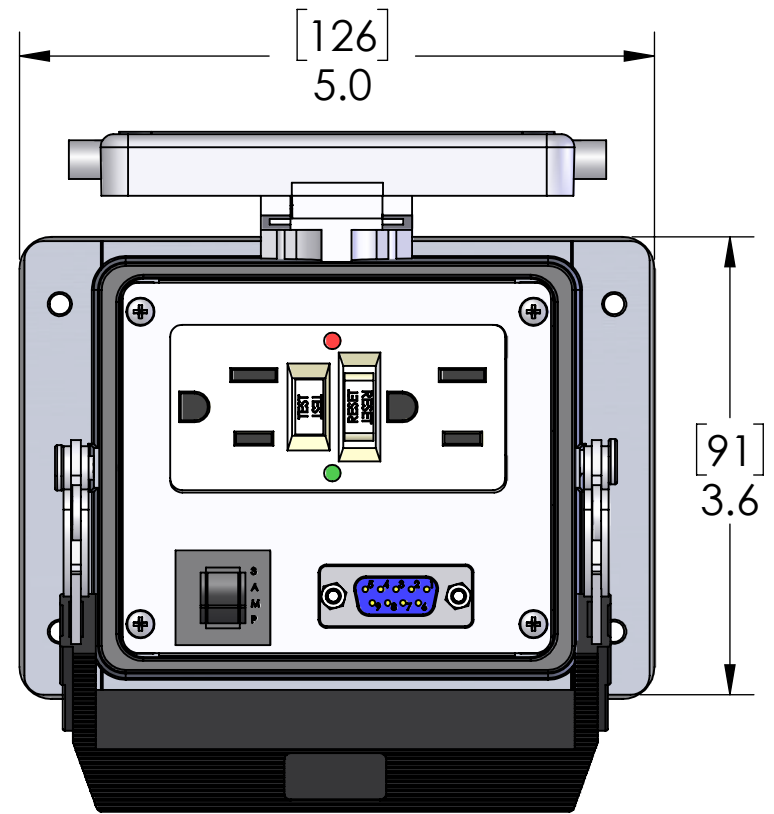
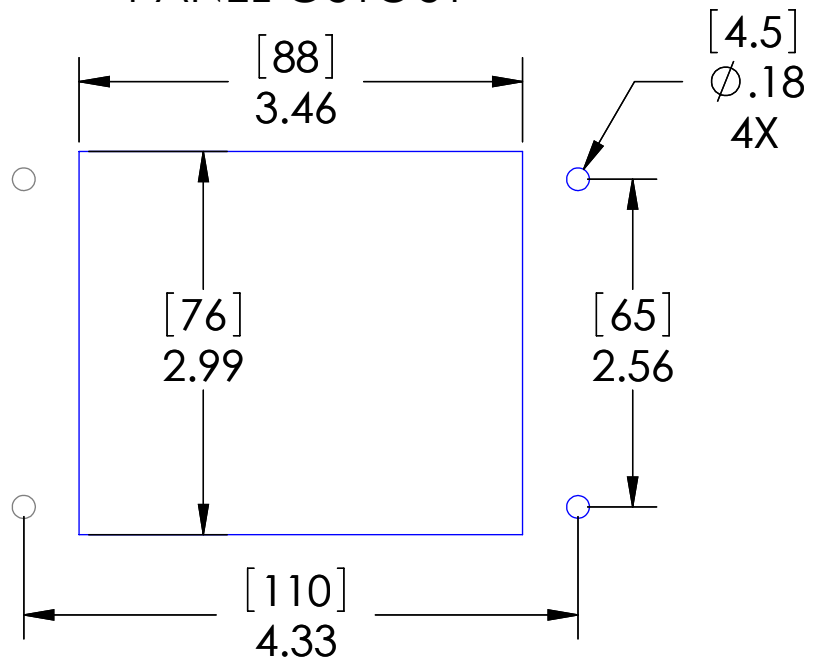


8 7 6 5 4 3 2 1

D  
C  
B  
A



PANEL CUTOUT



These devices shall be mounted on enclosures having adequate strength and thickness and with adequate spacing provided. Seal rating is based on mounting to a surface that is clean, flat and smooth.

| HOUSING MATERIALS |                                |
|-------------------|--------------------------------|
| BODY:             | EPOXY COATED DIE CAST ALUMINUM |
| GASKET:           | THERMOPLASTIC ELASTOMER        |
| HANDLE:           | POLYAMIDE                      |
| LEVERS:           | STAINLESS STEEL                |

| PIC RATINGS/SPECIFICATIONS |                                 |
|----------------------------|---------------------------------|
| VOLTS:                     | 125V                            |
| AMPS:                      | 3A                              |
| SCCR:                      | 0.2kA                           |
| NEMA/UL   EN 60529:        | 4, 4X, 12   IP65                |
| MOUNTING SCREW SIZE:       | M4 (8-32) (304 or 316SS for 4X) |
| MOUNTING SCREW TORQUE:     | 1.2~1.8N-m (0.9~1.3 Lb-Ft)      |
| INCOMING POWER WIRE SIZE:  | 0.5 ~ 4.0 sq mm / 20-12AWG      |
| WIRE STRIP LENGTH:         | 10 ~ 11 mm                      |

MOUNTING KIT ORDERED SEPARATELY CONTAINS M4x0.7 SS SCREW, NYLON WASHER, SPLIT LOCKWASHER AND M4 NUT  
**P/N: D-PIC-MT**



UNLESS OTHERWISE SPECIFIED:

DIMENSIONS ARE IN INCHES AND [MM]

MATERIAL  
FINISH  
DO NOT SCALE DRAWING

|             |            |
|-------------|------------|
| DRAWN BY:   | DCG        |
| DRAWN DATE: | 11/21/2018 |
| CHECKED BY: | GO         |
| CHECK DATE: | 11/26/2018 |

**MENCOM CORPORATION**

TITLE:  
**GF; DB9; 3A; 32**

| STANDARD CONFIGURATIONS UNLESS OTHERWISE NOTED |          |          |
|--|----------|----------|
| CONN. TYPE                                     | EXTERIOR | INTERIOR |
| ALL D-SUBS                                     | FEMALE   | MALE     |

**PROPRIETARY AND CONFIDENTIAL**  
 THE INFORMATION CONTAINED IN THIS DRAWING IS THE SOLE PROPERTY OF MENCOM CORPORATION. ANY REPRODUCTION IN PART OR AS A WHOLE WITHOUT THE WRITTEN PERMISSION OF MENCOM CORPORATION IS PROHIBITED.

COMMENTS:

|            |                    |              |
|------------|--------------------|--------------|
| SIZE       | DWG. NO.           | REV          |
| <b>B</b>   | <b>GF-DB9-R-32</b> | <b>D</b>     |
| SCALE: 2:3 | WEIGHT:            | SHEET 1 OF 1 |

8 7 6 5 4 3 2 1