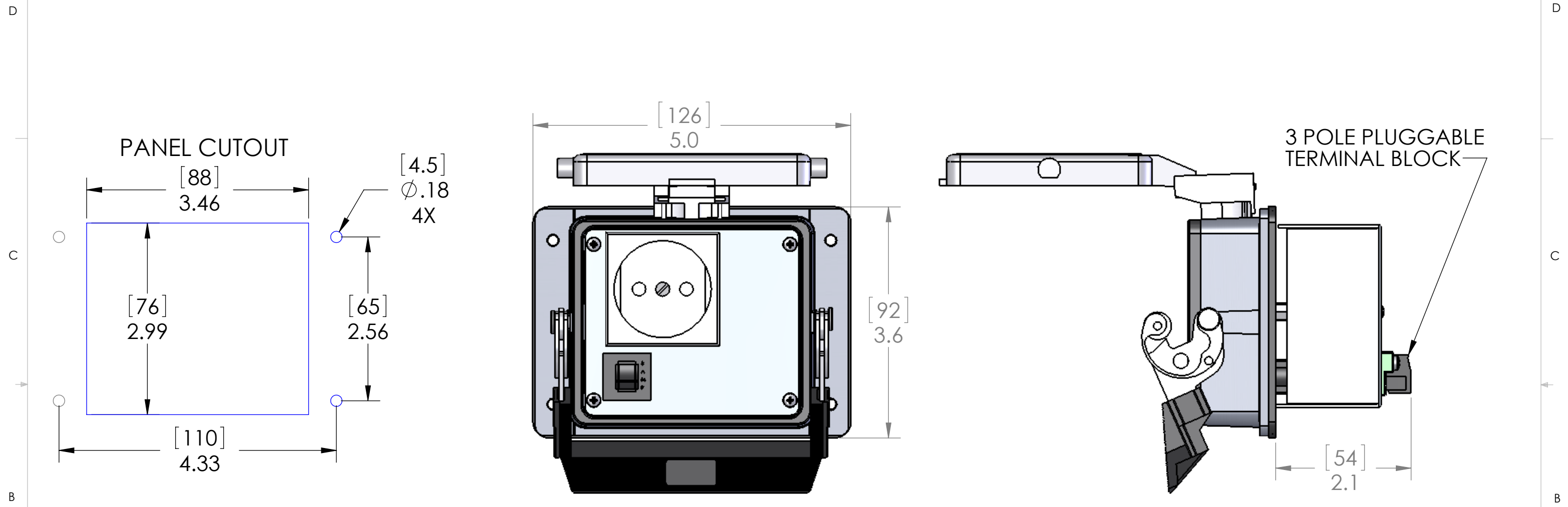


REVISIONS			
REV.	DESCRIPTION	DATE	APPROVED
A	REDRAWN IN SW	2/8/2005	BEM
B	MODIFIED PANEL CUTOUT DIM	6/15/2012	CAM



STANDARD CONFIGURATIONS UNLESS OTHERWISE NOTED		
CONN. TYPE	EXTERIOR	INTERIOR
RJ45	CAT 5 JACK	CAT 5 JACK

PIC RATINGS	
VOLTS:	250V
AMPS:	16A

PROPRIETARY AND CONFIDENTIAL
 THE INFORMATION CONTAINED IN THIS DRAWING IS THE SOLE PROPERTY OF MENCOM CORPORATION. ANY REPRODUCTION IN PART OR AS A WHOLE WITHOUT THE WRITTEN PERMISSION OF MENCOM CORPORATION IS PROHIBITED.

UNLESS OTHERWISE SPECIFIED:
 DIMENSIONS ARE IN INCHES & [MM]
 MATERIAL
 FINISH
 DO NOT SCALE DRAWING

HOUSING MATERIALS	
BODY:	EPOXY COATED DIE CAST ALUMINUM
GASKET:	THERMOPLASTIC ELASTOMER
HANDLE:	POLYAMIDE
LEVERS:	STAINLESS STEEL

DRAWN		NAME	MENCOM CORPORATION
CHECKED		CAM	
ENG APPR.		TITLE:	
MFG APPR.			
Q.A.			
COMMENTS:			
SIZE	DWG. NO.	REV	
B	EP-R-32	B	
SCALE: 2:3	WEIGHT:	SHEET 1 OF 1	