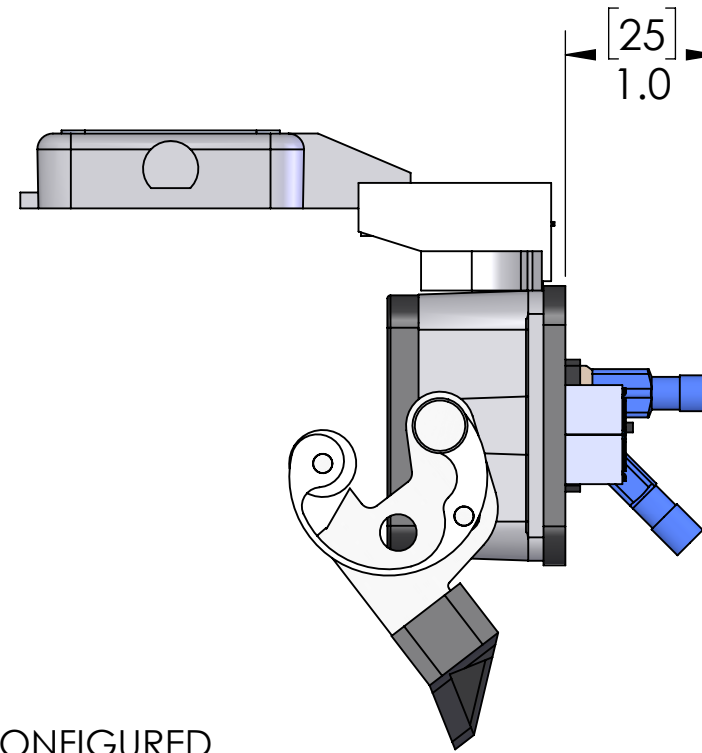


(2X) USB 3.0 TYPE A CONFIGURED FEMALE EXTERIOR / FEMALE INTERIOR

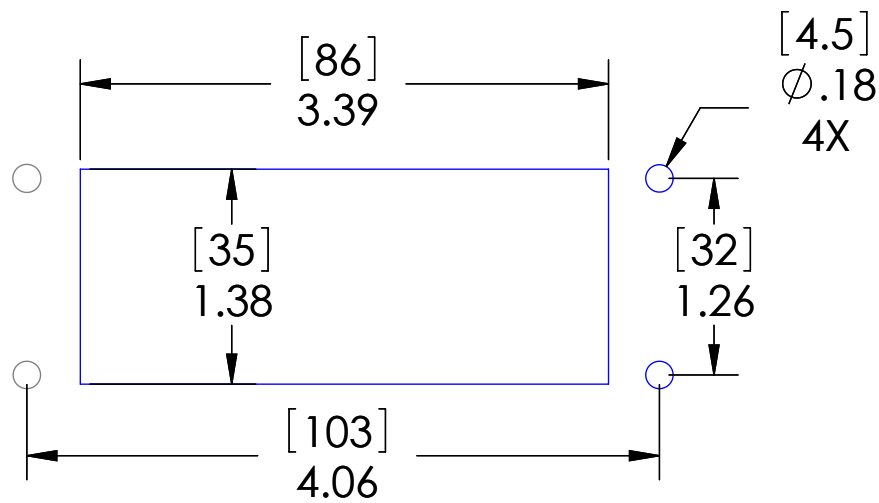


For power connector, crimp terminals are supplied for hot, neutral and ground connections.

A device employing a 15 A or 20 A grounding type receptacle but no supplementary protector shall be protected by a fuse or circuit breaker that does not exceed the marked rating of the receptacle in the end use. When a fuse or circuit breaker rated less than the receptacle's rating is provided, a Marking shall be provided to indicate the maximum ampere rating of the protection provided.

These devices shall be mounted on enclosures having adequate strength and thickness and with adequate spacing provided. Seal rating is based on mounting to a surface that is clean, flat and smooth.

PANEL CUTOUT



| HOUSING MATERIALS | |
|-------------------|--------------------------------|
| BODY: | EPOXY COATED DIE CAST ALUMINUM |
| GASKET: | THERMOPLASTIC ELASTOMER |
| HANDLE: | POLYAMIDE |
| LEVERS: | STAINLESS STEEL |

| PIC RATINGS/SPECIFICATIONS | |
|----------------------------|---------------------------------|
| VOLTS: | 125V |
| AMPS: | 15A |
| SCCR: | 10kA |
| NEMA/UL EN 60529: | 4, 4X, 12 IP65 |
| MOUNTING SCREW SIZE: | M4 (8-32) (304 or 316SS for 4X) |
| MOUNTING SCREW TORQUE: | 1.2~1.8N-m (0.9~1.3 Lb-Ft) |
| INCOMING POWER WIRE SIZE: | 0.5 ~ 4.0 sq mm / 20-12AWG |
| WIRE STRIP LENGTH: | 10 ~ 11 mm |

OPERATING TEMPERATURE: (-10°C / +60° C (+14° F / +140° F))

MOUNTING KIT ORDERED SEPARATELY CONTAINS M4x0.7 SS SCREW, NYLON WASHER, SPLIT LOCKWASHER AND M4 NUT
P/N: D-PIC-MT



UNLESS OTHERWISE SPECIFIED:
 DIMENSIONS ARE IN INCHES AND [MM]

| | |
|-------------|------------|
| DRAWN BY: | DCG |
| DRAWN DATE: | 07/13/2021 |
| CHECKED BY: | DCG |
| CHECK DATE: | 07/15/2021 |

MENCOM CORPORATION

TITLE:
 SEMPLX; RJ45; 2USB-AA; 16

| STANDARD CONFIGURATIONS UNLESS OTHERWISE NOTED | | |
|------------------------------------------------|------------|------------|
| CONN. TYPE | EXTERIOR | INTERIOR |
| RJ45 | CAT 6 JACK | CAT 6 JACK |

PROPRIETARY AND CONFIDENTIAL
 THE INFORMATION CONTAINED IN THIS DRAWING IS THE SOLE PROPERTY OF MENCOM CORPORATION. ANY REPRODUCTION IN PART OR AS A WHOLE WITHOUT THE WRITTEN PERMISSION OF MENCOM CORPORATION IS PROHIBITED.

| | |
|----------------------|--|
| MATERIAL | |
| FINISH | |
| DO NOT SCALE DRAWING | |

COMMENTS:

| | | |
|---------------|--------------------------------|--------------|
| SIZE B | DWG. NO. DP1-RJ45-2USB-AFAF-16 | REV D |
| SCALE: 13:16 | WEIGHT: | SHEET 1 OF 1 |