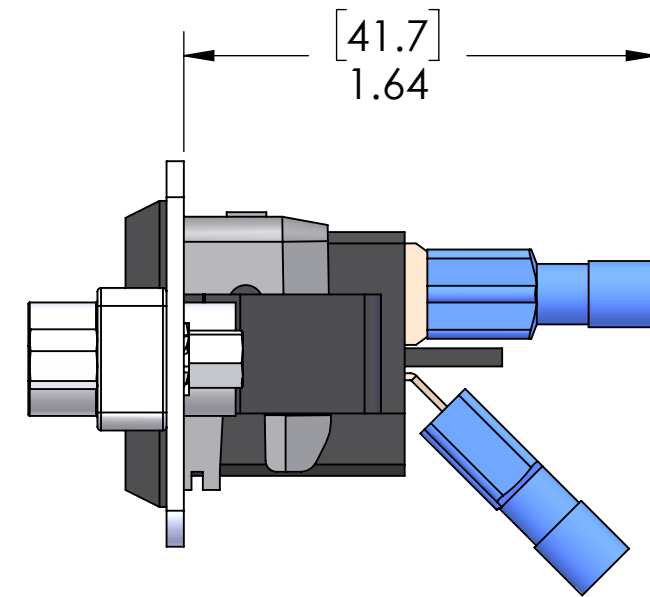


HI-DENSITY DB15 (VGA) CONFIGURED
MALE EXTERIOR / MALE INTERIOR



For power connector, crimp terminals
are supplied for hot, neutral and
ground connections.

MATERIALS:		PIC RATINGS/SPECIFICATIONS	
PLATE:	16 GA 304 STAINLESS	VOLTS:	125V
OPERATING TEMPERATURE: (-10°C / +75° C (+14° F / +167° F))		AMPS:	15A
		SCCR:	10kA
		INCOMING POWER WIRE SIZE:	0.5 ~ 4.0 sq mm / 20-12AWG
		WIRE STRIP LENGTH:	10 ~ 11 mm



UNLESS OTHERWISE SPECIFIED:		DRAWN BY	DCG
DIMENSIONS ARE IN INCHES AND [MM]		DRAWN DATE	08/16/2021
		CHECKED BY	DCG
		CHECK DATE	08/18/2021
		COMMENTS:	

MENCOM CORPORATION		
TITLE: SMPLX; DDB15M; 16 PLT ONLY		
SIZE	DWG. NO.	REV
B	DP1-DDB15M-PL16	C
SCALE: 3:2	WEIGHT:	SHEET 1 OF 1

PROPRIETARY AND CONFIDENTIAL
THE INFORMATION CONTAINED IN THIS DRAWING IS THE SOLE PROPERTY OF MENCOM CORPORATION. ANY REPRODUCTION IN PART OR AS A WHOLE WITHOUT THE WRITTEN PERMISSION OF MENCOM CORPORATION IS PROHIBITED.

DO NOT SCALE DRAWING