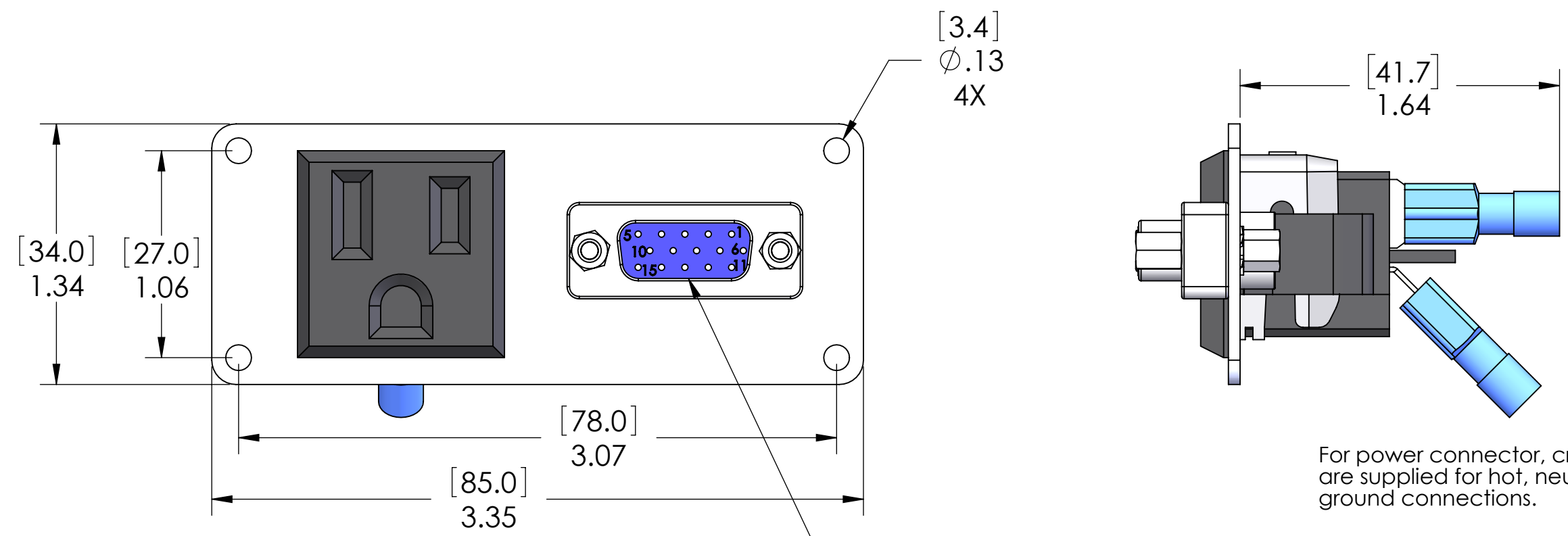


8 7 6 5 4 3 2 1

D

D



HI-DENSITY DB15 (VGA) CONFIGURED
FEMALE EXTERIOR / MALE INTERIOR

For power connector, crimp terminals
are supplied for hot, neutral and
ground connections.

C

C

B

B

A

A

MATERIALS: PLATE: 16 GA 304 STAINLESS OPERATING TEMPERATURE: (-10°C / +75° C (+14° F / +167° F))		PIC RATINGS/SPECIFICATIONS	
		VOLTS:	125V
		AMPS:	15A
		SCCR:	10kA
		INCOMING POWER WIRE SIZE:	0.5 ~ 4.0 sq mm / 20-12AWG
		WIRE STRIP LENGTH:	10 ~ 11 mm
	UNLESS OTHERWISE SPECIFIED:	DRAWN BY:	DCG
	DIMENSIONS ARE IN INCHES AND [MM]	DRAWN DATE:	08/16/2021
		CHECKED BY:	DCG
		CHECK DATE:	08/18/2021
		COMMENTS:	
		MENCOM CORPORATION TITLE: SMPLX; DDB15; 16 PLT ONLY	
PROPRIETARY AND CONFIDENTIAL THE INFORMATION CONTAINED IN THIS DRAWING IS THE SOLE PROPERTY OF MENCOM CORPORATION. ANY REPRODUCTION IN PART OR AS A WHOLE WITHOUT THE WRITTEN PERMISSION OF MENCOM CORPORATION IS PROHIBITED.		MATERIAL:	
		FINISH:	
		DO NOT SCALE DRAWING	
SIZE	DWG. NO.	REV	
B	DP1-DDB15-PL16	C	
SCALE: 3:2	WEIGHT:	SHEET 1 OF 1	

8 7 6 5 4 3 2 1