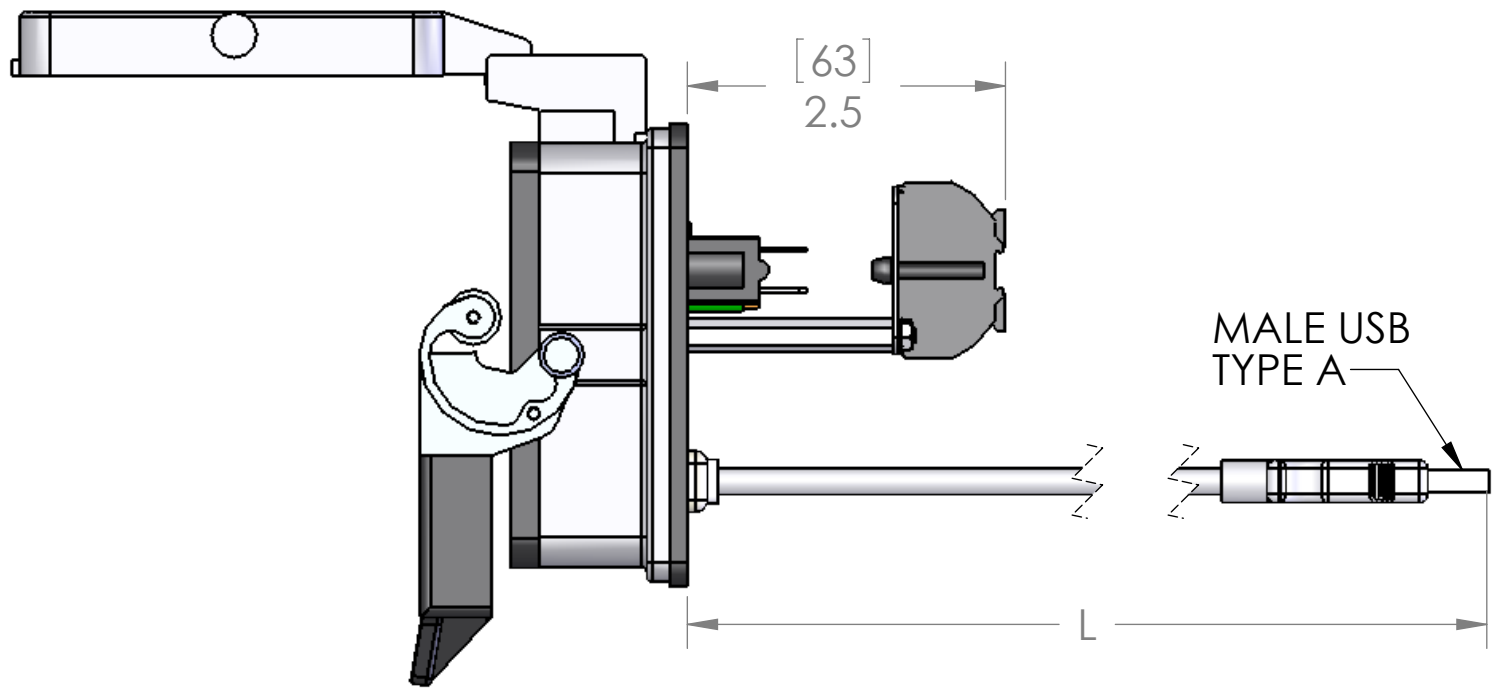
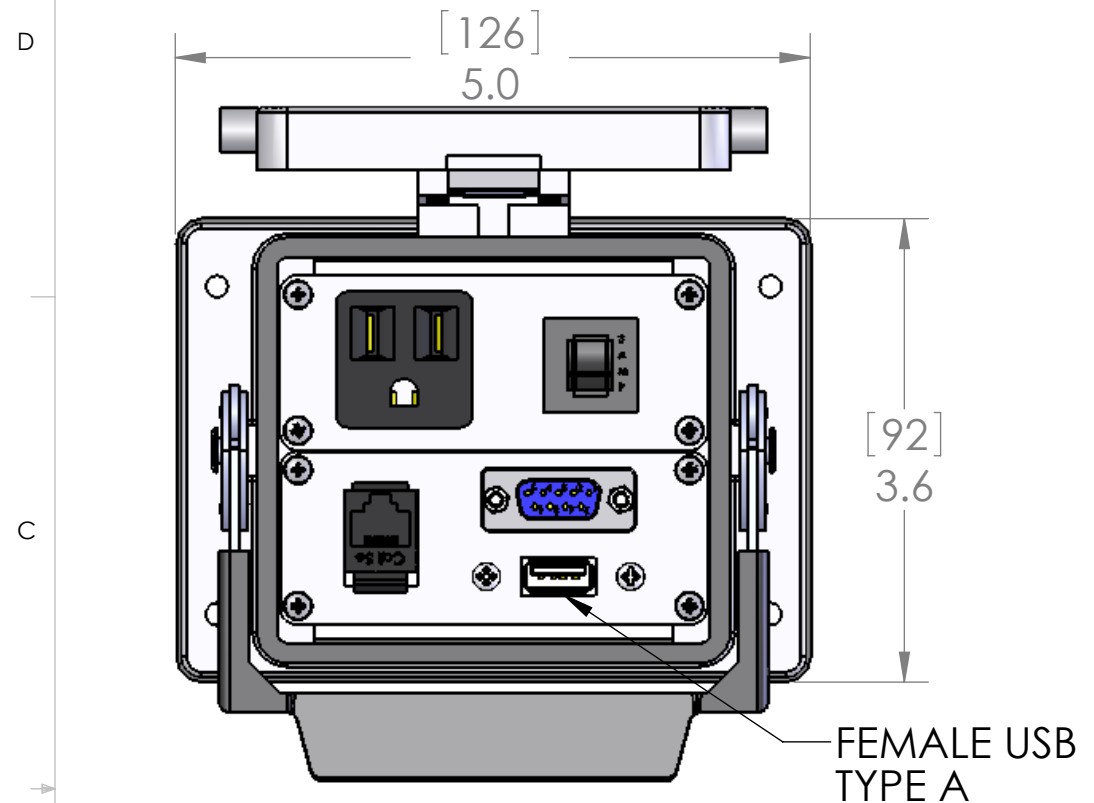
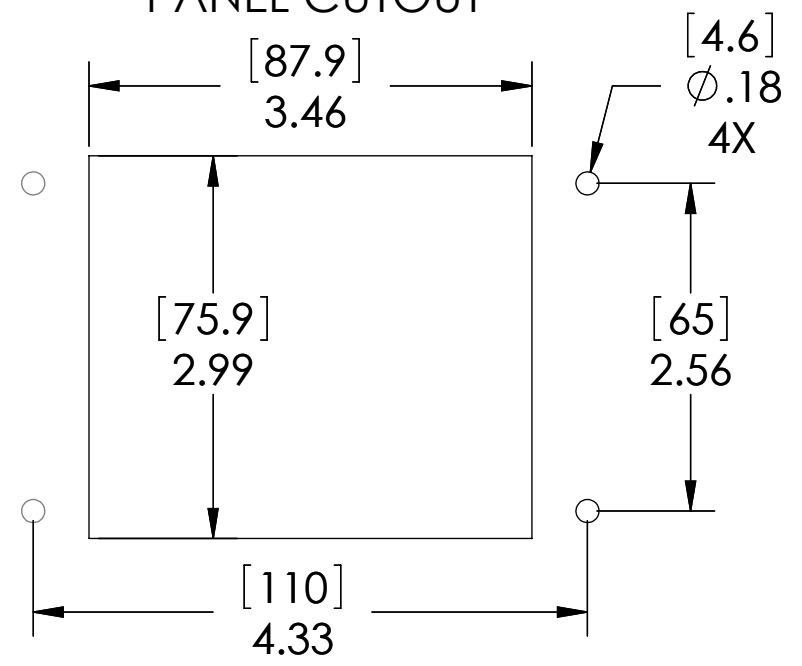


REVISIONS			
REV.	DESCRIPTION	DATE	APPROVED
A	INITIAL RELEASE	10/10/2006	BEM
B	CHG LAYOUT OF COMPONENTS SEE NOTES	2/12/2010	BEM



PANEL CUTOUT



PART NUMBER	LENGTH "L"
DP1-DB9-RJ45-USB-03-32	3 FEET
DP1-DB9-RJ45-USB-06-32	6 FEET
DP1-DB9-RJ45-USB-10-32	10 FEET

HOUSING MATERIALS	
BODY:	EPOXY COATED DIE CAST ALUMINUM
GASKET:	THERMOPLASTIC ELASTOMER
HANDLE:	POLYAMIDE
LEVERS:	STAINLESS STEEL

PIC RATINGS

VOLTS:	125V
AMPS:	3A
SCCR:	10kA
NEMA/UL:	4, 4X, 12

UNLESS OTHERWISE SPECIFIED:
DIMENSIONS ARE IN INCHES AND [MM]
MATERIAL
FINISH
DO NOT SCALE DRAWING

NAME
DRAWN
CHECKED
ENG APPR.
MFG APPR.
Q.A.
COMMENTS:

MENCOM CORPORATION
TITLE:

STANDARD CONFIGURATIONS UNLESS OTHERWISE NOTED		
CONN. TYPE	EXTERIOR	INTERIOR
ALL D-SUBS	FEMALE	MALE
RJ45	CAT 5 JACK	CAT 5 JACK

SIZE	DWG. NO.	REV
B	DP1-DB9-RJ45-USB-ZZ-R-32	B
SCALE: 2:3	WEIGHT:	SHEET 1 OF 1