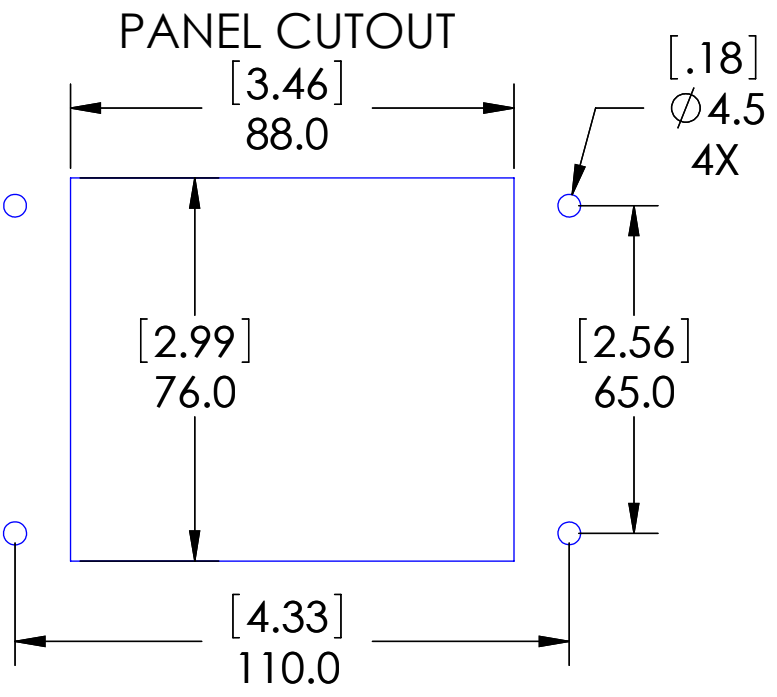
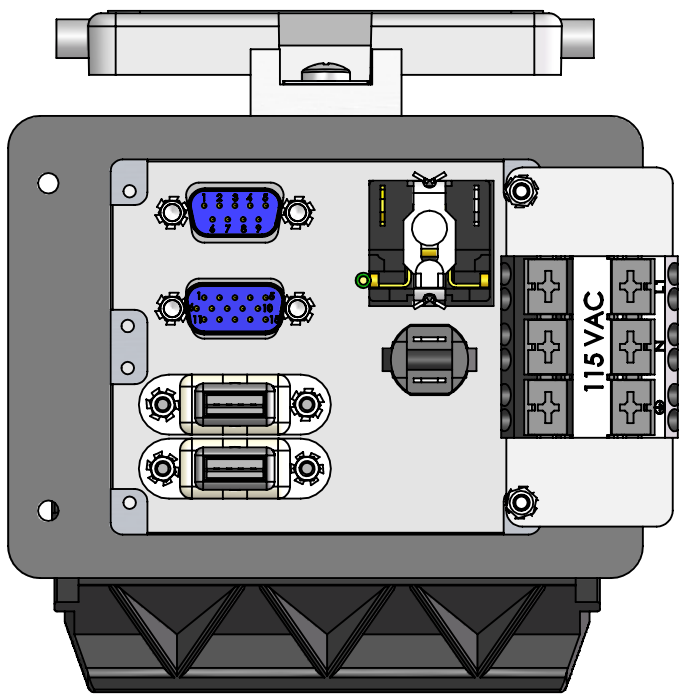
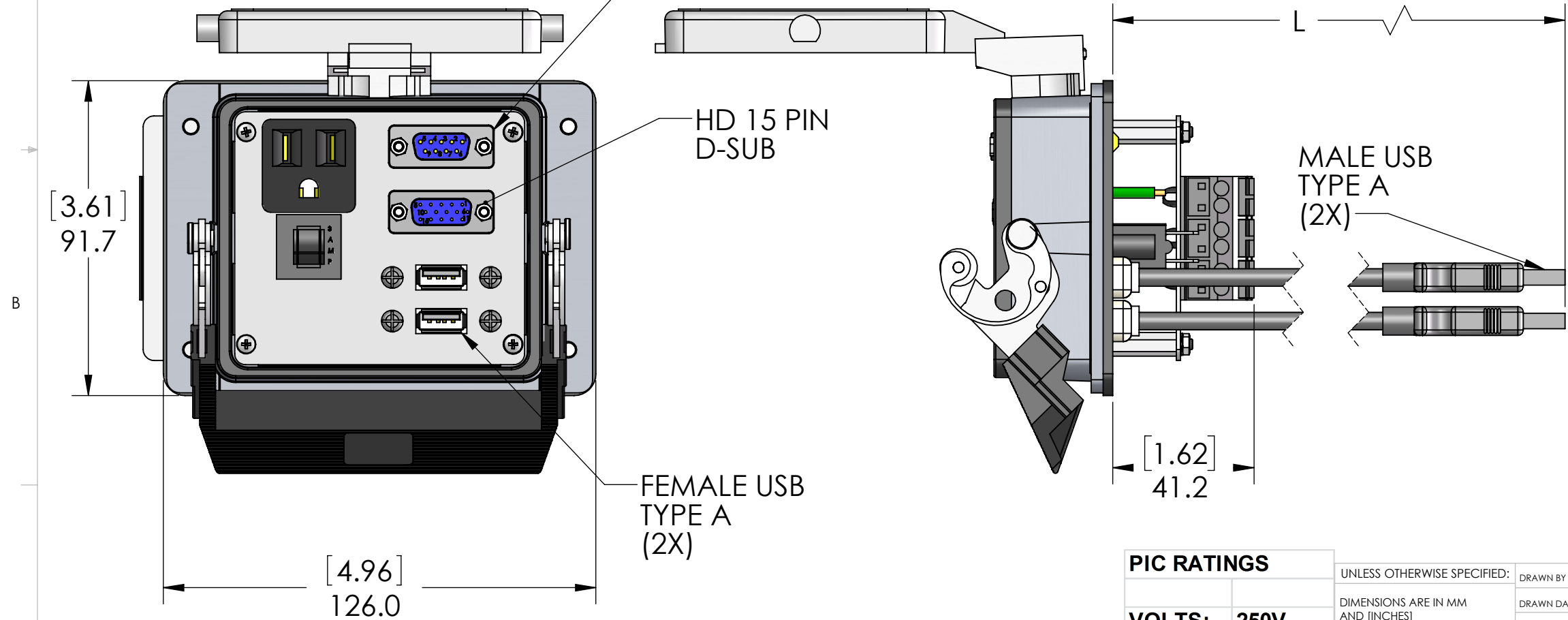


8 7 6 5 4 3 2 1



PART NUMBER	LENGTH "L"
DP1-DB9-DDB15-2USB-03-R-32LS	3 FOOT
DP1-DB9-DDB15-2USB-06-R-32LS	6 FEET
DP1-DB9-DDB15-2USB-10-R-32LS	10 FEET



HOUSING MATERIALS	
BODY:	EPOXY COATED DIE CAST ALUMINUM
GASKET:	THERMOPLASTIC ELASTOMER
HANDLE:	POLYAMIDE
LEVERS:	STAINLESS STEEL
APPROVALS	
US:	UL RECOGNIZED
CANADA:	C-UL RECOGNIZED

PIC RATINGS	
VOLTS:	250V
AMPS:	3A
NEMA/UL:	4, 4X, 12

UNLESS OTHERWISE SPECIFIED:	
DIMENSIONS ARE IN MM AND [INCHES]	
DRAWN BY	DCG
DRAWN DATE	10/03/2016
CHECKED BY	JJH
CHECK DATE	10/03/2016
COMMENTS:	
MATERIAL	
FINISH	
DO NOT SCALE DRAWING	

MENCOM CORPORATION		
TITLE: SMPLX;DB9; DDB15;2USB ZZ;R;32		
SIZE	DWG. NO.	REV
B	DP1-DB9-DDB15-2USB-ZZ-R-32LS	C
SCALE: 2:3	WEIGHT:	SHEET 1 OF 1

STANDARD CONFIGURATIONS UNLESS OTHERWISE NOTED		
CONN. TYPE	EXTERIOR	INTERIOR
ALL D-SUBS	FEMALE	MALE

PROPRIETARY AND CONFIDENTIAL
THE INFORMATION CONTAINED IN THIS DRAWING IS THE SOLE PROPERTY OF MENCOM CORPORATION. ANY REPRODUCTION IN PART OR AS A WHOLE WITHOUT THE WRITTEN PERMISSION OF MENCOM CORPORATION IS PROHIBITED.

8 7 6 5 4 3 2 1