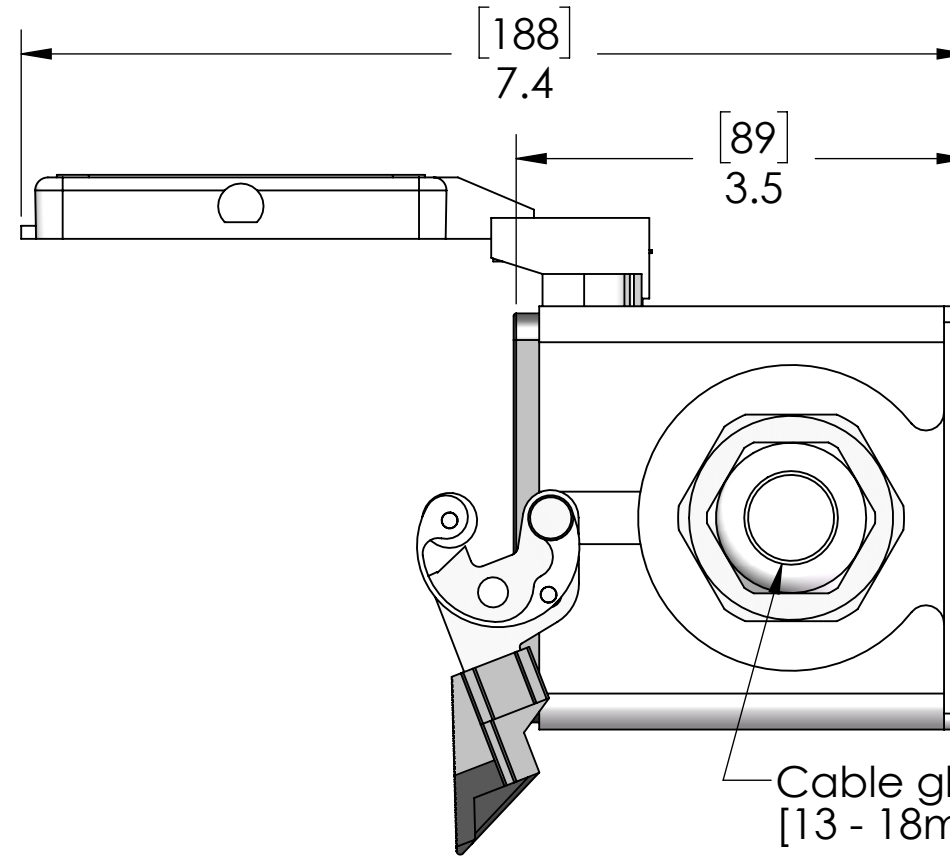


(2X) USB 3.0 TYPE A CONFIGURED FEMALE EXTERIOR / FEMALE INTERIOR



Cable gland for 0.512" - 0.708" [13 - 18mm] cable.

Crimp terminals supplied for hot, neutral, and ground of power connector

A device employing a 15 A or 20 A grounding type receptacle but no supplementary protector shall be protected by a fuse or circuit breaker that does not exceed the marked rating of the receptacle in the end use. When a fuse or circuit breaker rated less than the receptacle's rating is provided, a Marking shall be provided to indicate the maximum ampere rating of the protection provided.

These devices shall be mounted on enclosures having adequate strength and thickness and with adequate spacing provided.

STANDARD CONFIGURATIONS UNLESS OTHERWISE NOTED		
CONN. TYPE	EXTERIOR	INTERIOR
RJ45	CAT 6 JACK	CAT 6 JACK

OPERATING TEMPERATURE: (-10°C / +60° C (+14° F / +140° F))

MOUNTING KIT ORDERED SEPARATELY CONTAINS M5x0.8 SS SCREW, NYLON WASHER, SPLIT LOCKWASHER AND M5 NUT
P/N: D-PIC-MT-M5



UNLESS OTHERWISE SPECIFIED:
 DIMENSIONS ARE IN INCHES AND [MM]

HOUSING MATERIALS		PIC RATINGS/SPECIFICATIONS	
BODY:	EPOXY COATED DIE CAST ALUMINUM	VOLTS:	125V
GASKET:	THERMOPLASTIC ELASTOMER	AMPS:	15A
HANDLE:	POLYAMIDE	SCCR:	10kA
LEVERS:	STAINLESS STEEL	NEMA/UL EN 60529:	4, 4X, 12 IP65
OPERATING TEMPERATURE: (-10°C / +60° C (+14° F / +140° F))		MOUNTING SCREW SIZE:	M5 (10-32) (304 or 316SS for 4X)
		MOUNTING SCREW TORQUE:	1.2~1.8N-m (0.9~1.3 Lb-Ft)

PROPRIETARY AND CONFIDENTIAL
 THE INFORMATION CONTAINED IN THIS DRAWING IS THE SOLE PROPERTY OF MENCOM CORPORATION. ANY REPRODUCTION IN PART OR AS A WHOLE WITHOUT THE WRITTEN PERMISSION OF MENCOM CORPORATION IS PROHIBITED.

MATERIAL	FINISH
DO NOT SCALE DRAWING	

DRAWN BY:	DG
DRAWN DATE:	07/13/2021
CHECKED BY:	APR
CHECK DATE:	07/14/2021

MENCOM CORPORATION
 TITLE:
 DP;RJ;2USB AFAF PM;SURF MT 32

SIZE	DWG. NO.	REV
B	DP-RJ45-2USB-AFAF-P32	C
SCALE: 2:3	WEIGHT:	SHEET 1 OF 1