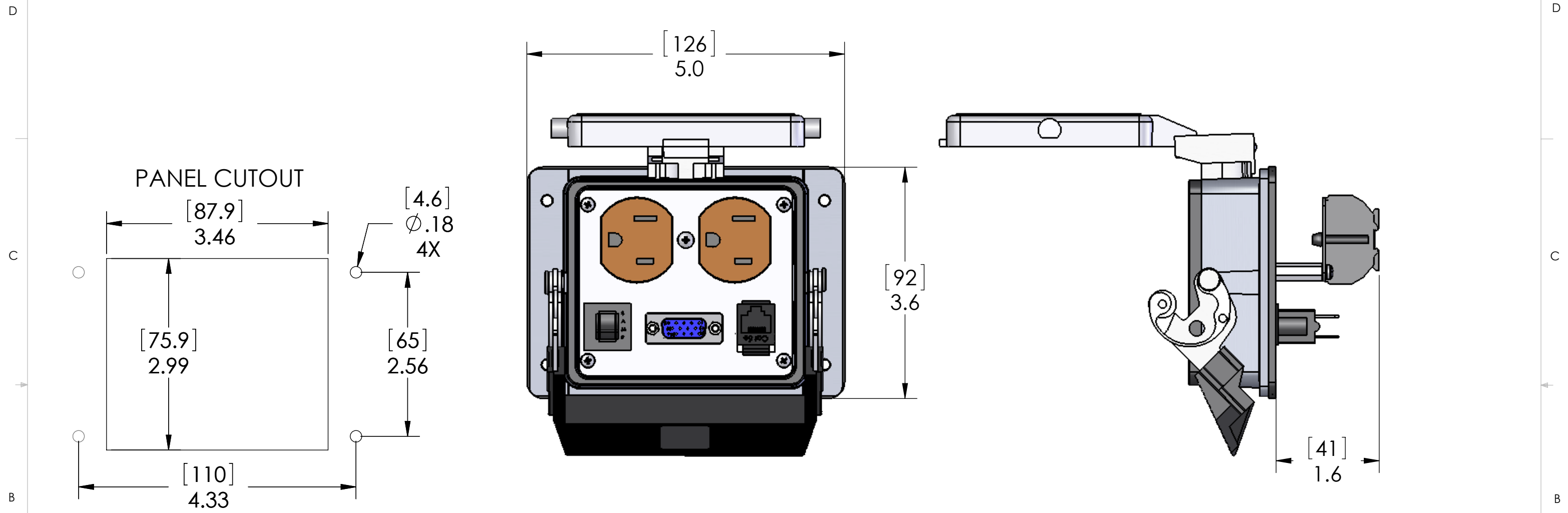


REVISIONS			
REV.	DESCRIPTION	DATE	APPROVED
B	REDRAWN IN SW	10/26/2005	BEM
C	CHANGED TB AND STANDOFFS	11/4/2013	JJH



HOUSING MATERIALS	
BODY:	EPOXY COATED DIE CAST ALUMINUM
GASKET:	THERMOPLASTIC ELASTOMER
HANDLE:	POLYAMIDE
LEVERS:	STAINLESS STEEL

APPROVALS	
US:	UL RECOGNIZED
CANADA:	C-UL RECOGNIZED

PIC RATINGS	
VOLTS:	125V
AMPS:	3A
SCCR:	10kA
NEMA/UL:	4, 4X, 12

UNLESS OTHERWISE SPECIFIED:
 DIMENSIONS ARE IN INCHES AND [MM]
 MATERIAL
 FINISH
 DO NOT SCALE DRAWING

NAME
DRAWN: CAM
CHECKED:
ENG APPR.:
MFG APPR.:
Q.A.:
COMMENTS:

MENCOM CORPORATION

TITLE:
 DUPX;HI DEN 15 D;RJ 8 WR 3AMP

SIZE	DWG. NO.	REV
B	DP-DDB15-RJ45-R-32	C

SCALE: 2:3 WEIGHT: SHEET 1 OF 1

STANDARD CONFIGURATIONS UNLESS OTHERWISE NOTED		
CONN. TYPE	EXTERIOR	INTERIOR
ALL D-SUBS	FEMALE	MALE
RJ45	CAT 5 JACK	CAT 5 JACK

PROPRIETARY AND CONFIDENTIAL
 THE INFORMATION CONTAINED IN THIS DRAWING IS THE SOLE PROPERTY OF MENCOM CORPORATION. ANY REPRODUCTION IN PART OR AS A WHOLE WITHOUT THE WRITTEN PERMISSION OF MENCOM CORPORATION IS PROHIBITED.