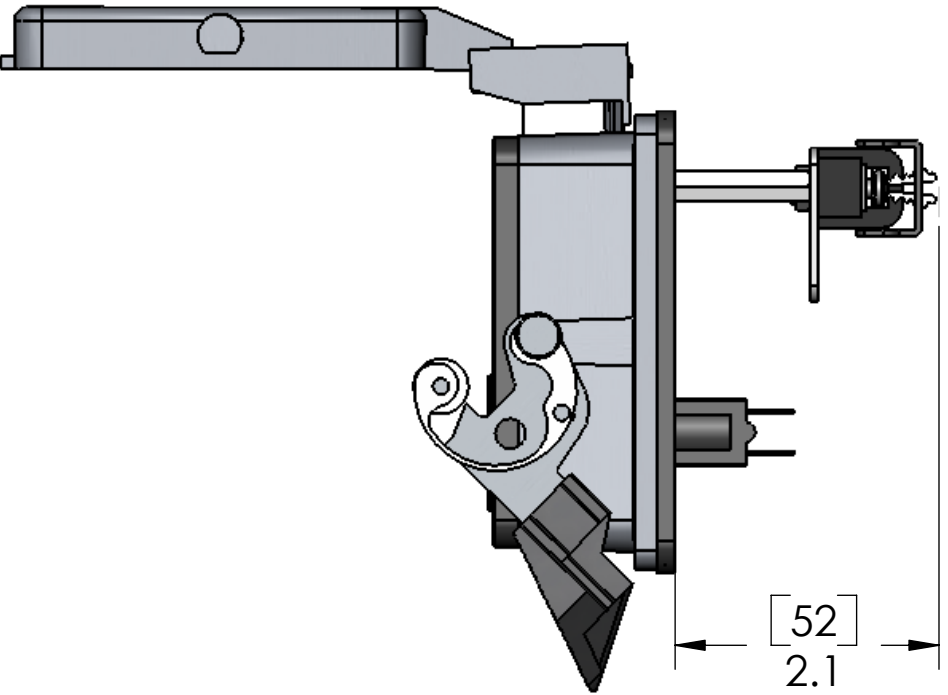
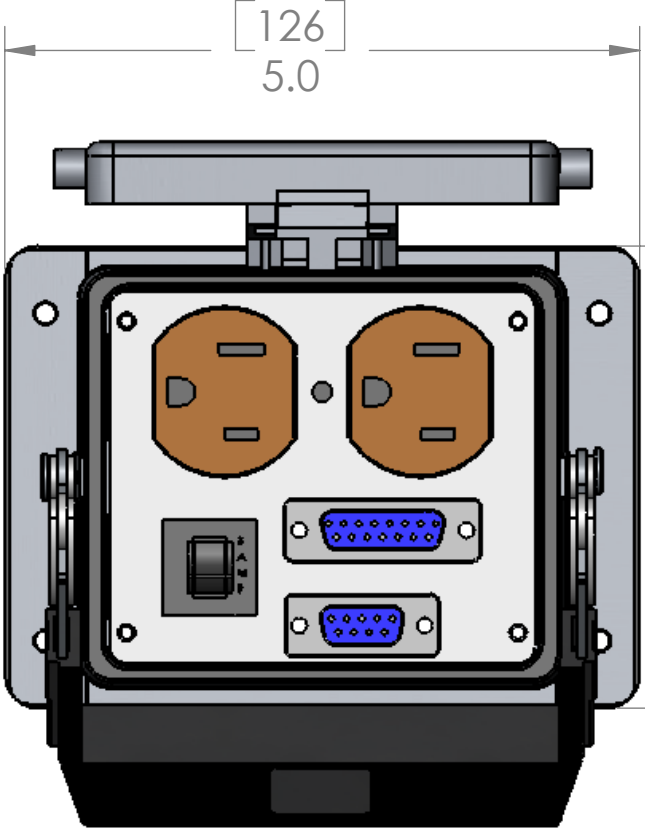
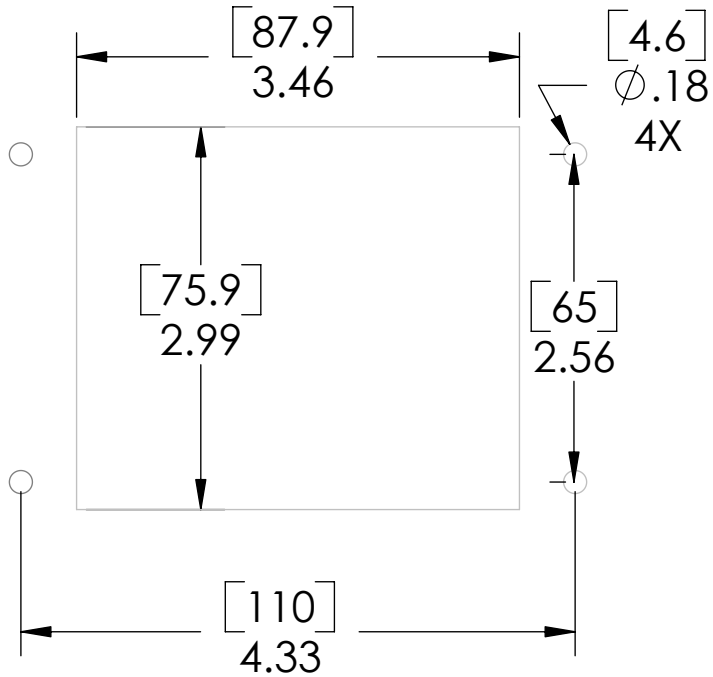


REVISIONS			
REV.	DESCRIPTION	DATE	APPROVED
A	REDRAWN IN SW	2/24/2005	BEM

PANEL CUTOUT



HOUSING MATERIALS	
BODY:	EPOXY COATED DIE CAST ALUMINUM
GASKET:	THERMOPLASTIC ELASTOMER
HANDLE:	POLYAMIDE
LEVERS:	STAINLESS STEEL

VOLTS: 125V
 AMPS: 3A
 SCCR: 10kA

PROPRIETARY AND CONFIDENTIAL
 THE INFORMATION CONTAINED IN THIS DRAWING IS THE SOLE PROPERTY OF MENCOM CORPORATION. ANY REPRODUCTION IN PART OR AS A WHOLE WITHOUT THE WRITTEN PERMISSION OF MENCOM CORPORATION IS PROHIBITED.

UNLESS OTHERWISE SPECIFIED:	NAME
DIMENSIONS ARE IN INCHES & [MM]	DRAWN CAM
	CHECKED
	ENG APPR.
	MFG APPR.
	Q.A.
MATERIAL	COMMENTS:
FINISH	
DO NOT SCALE DRAWING	

MENCOM CORPORATION		
TITLE:		
SIZE	DWG. NO.	REV
B	DP-DB9-DB15-R-32	A
SCALE: 2:3	WEIGHT:	SHEET 1 OF 1

STANDARD CONFIGURATIONS UNLESS OTHERWISE NOTED		
CONN. TYPE	EXTERIOR	INTERIOR
ALL D-SUBS	FEMALE	MALE