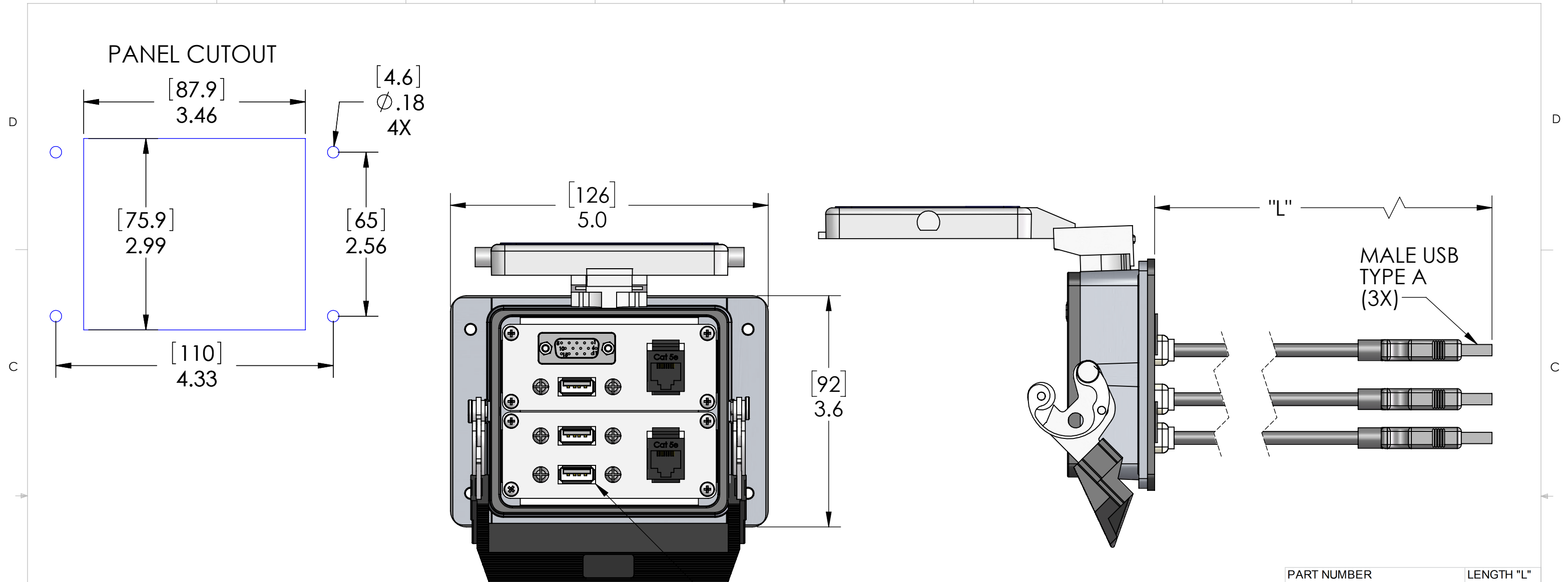


8 7 6 5 4 3 2 1



PART NUMBER	LENGTH "L"
DDB15-2RJ45-3USB-03-32	3 FEET
DDB15-2RJ45-3USB-06-32	6 FEET
DDB15-2RJ45-3USB-10-32	10 FEET

HOUSING MATERIALS

BODY:	EPOXY COATED DIE CAST ALUMINUM
GASKET:	THERMOPLASTIC ELASTOMER
HANDLE:	POLYAMIDE
LEVERS:	STAINLESS STEEL

APPROVALS

US:	UL RECOGNIZED
CANADA:	C-UL RECOGNIZED

STANDARD CONFIGURATIONS UNLESS OTHERWISE NOTED

CONN. TYPE	EXTERIOR	INTERIOR
RJ45	CAT 5 JACK	CAT 5 JACK
ALL D-SUBS	FEMALE	MALE

PROPRIETARY AND CONFIDENTIAL
 THE INFORMATION CONTAINED IN THIS DRAWING IS THE SOLE PROPERTY OF MENCOM CORPORATION. ANY REPRODUCTION IN PART OR AS A WHOLE WITHOUT THE WRITTEN PERMISSION OF MENCOM CORPORATION IS PROHIBITED.

PIC RATINGS		UNLESS OTHERWISE SPECIFIED:	
NEMA/UL: 4, 4X, 12		DIMENSIONS ARE IN INCHES AND [MM]	
		DRAWN BY	DG
		DRAWN DATE	11/07/2016
		CHECKED BY	ADM
		CHECK DATE	11/07/2016
		COMMENTS:	
		MATERIAL	
		FINISH	
		DO NOT SCALE DRAWING	

MENCOM CORPORATION

TITLE:
DDB15; 2 RJ45; 3 USB-ZZ; 32

SIZE	DWG. NO.	REV
B	DDB15-2RJ45-3USB-ZZ-32	B
SCALE: 2:3	WEIGHT:	SHEET 1 OF 1

8 7 6 5 4 3 2 1