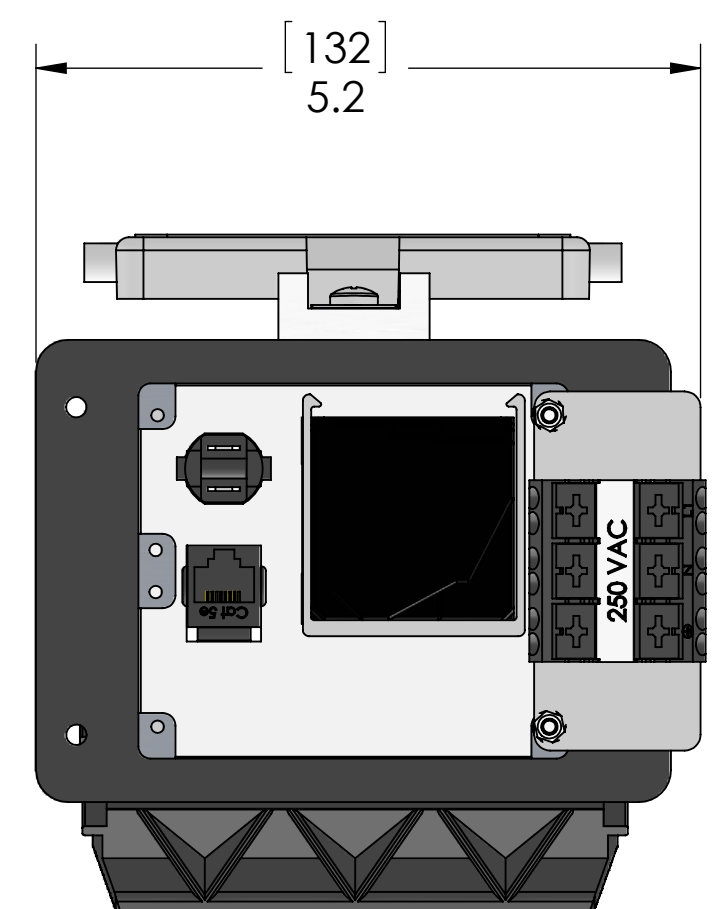
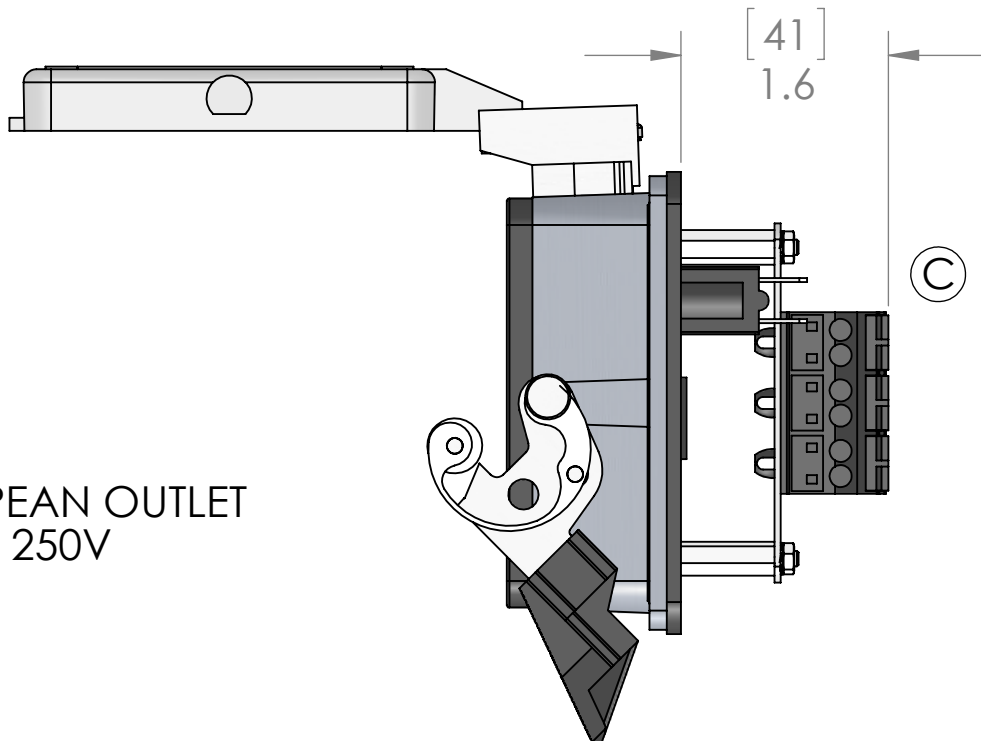
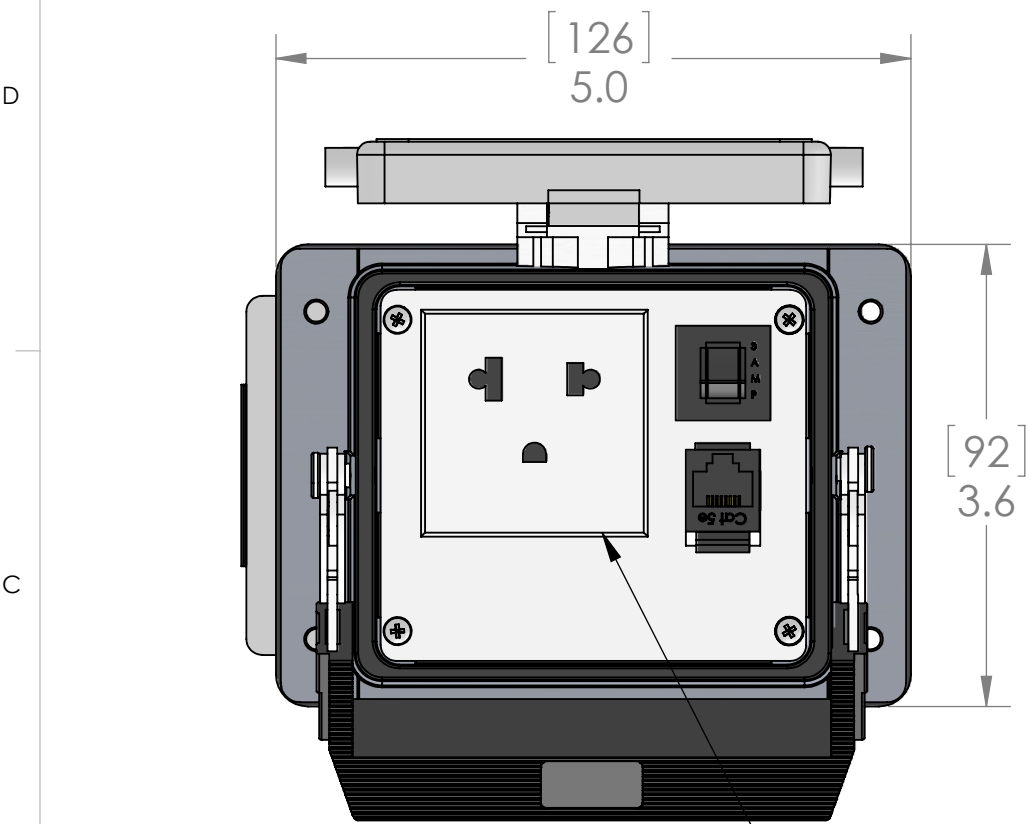
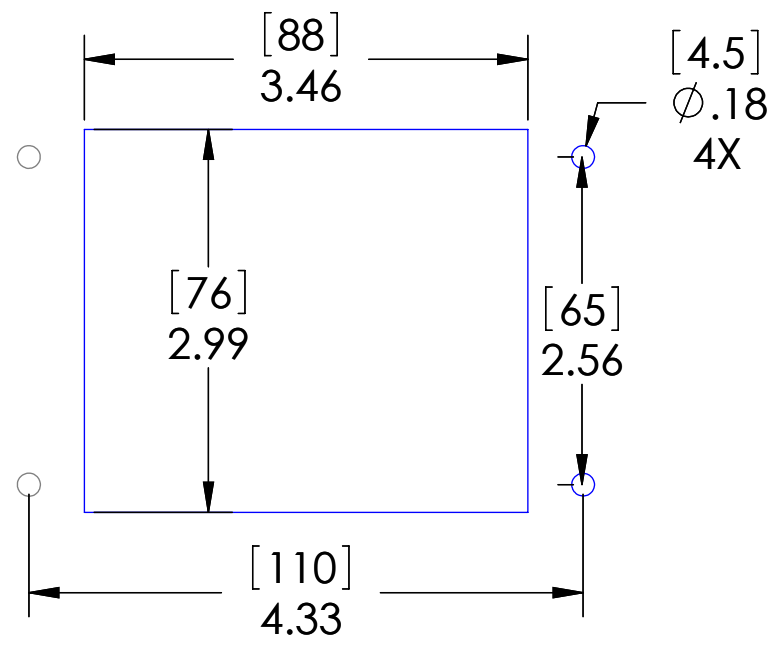


REVISIONS			
REV.	DESCRIPTION	DATE	APPROVED
A	INITIAL RELEASE	2/25/2010	BEM
B	REVISED	11/3/2011	BEM
C	UPDATED TB AND STAND OFFS	2/17/2016	



BRAZIL/EUROPEAN OUTLET (BR-15R) 16A, 250V

PANEL CUTOUT



HOUSING MATERIALS	
BODY:	EPOXY COATED DIE CAST ALUMINUM
GASKET:	THERMOPLASTIC ELASTOMER
HANDLE:	POLYAMIDE
LEVERS:	STAINLESS STEEL

PIC RATINGS	
VOLTS:	250V
AMPS:	3A
NEMA/UL:	4, 4X, 12

UNLESS OTHERWISE SPECIFIED:
 DIMENSIONS ARE IN INCHES AND [MM]
 MATERIAL
 FINISH
 DO NOT SCALE DRAWING

DRAWN		NAME	MENCOM CORPORATION
CHECKED		CAM	
ENG APPR.		TITLE:	
MFG APPR.		BRAZIL RCPT;RJ45;3A;32	
Q.A.			
COMMENTS:			
SIZE	DWG. NO.	REV	
B	DBR-RJ45-R-32	C	
SCALE: 2:3	WEIGHT:	SHEET 1 OF 1	

STANDARD CONFIGURATIONS UNLESS OTHERWISE NOTED		
CONN. TYPE	EXTERIOR	INTERIOR
RJ45	CAT 5 JACK	CAT 5 JACK

PROPRIETARY AND CONFIDENTIAL
 THE INFORMATION CONTAINED IN THIS DRAWING IS THE SOLE PROPERTY OF MENCOM CORPORATION. ANY REPRODUCTION IN PART OR AS A WHOLE WITHOUT THE WRITTEN PERMISSION OF MENCOM CORPORATION IS PROHIBITED.