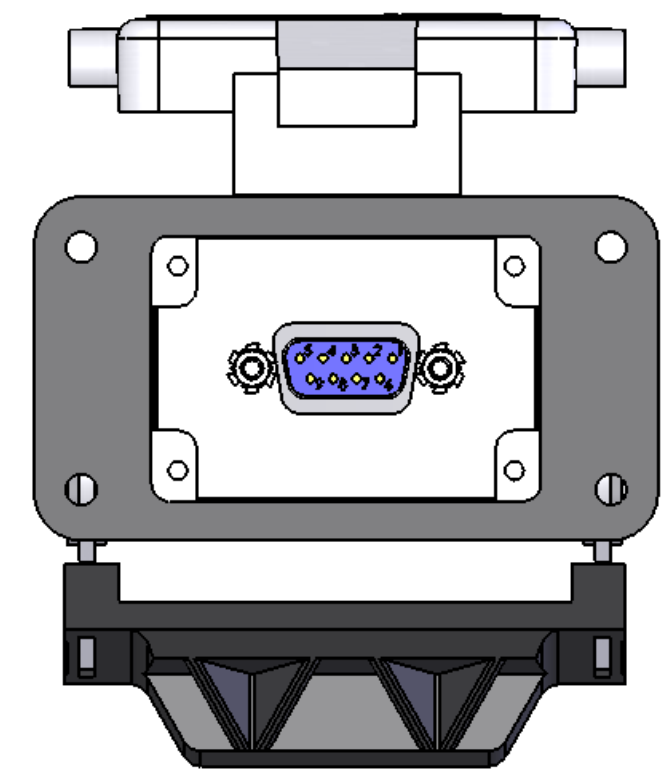
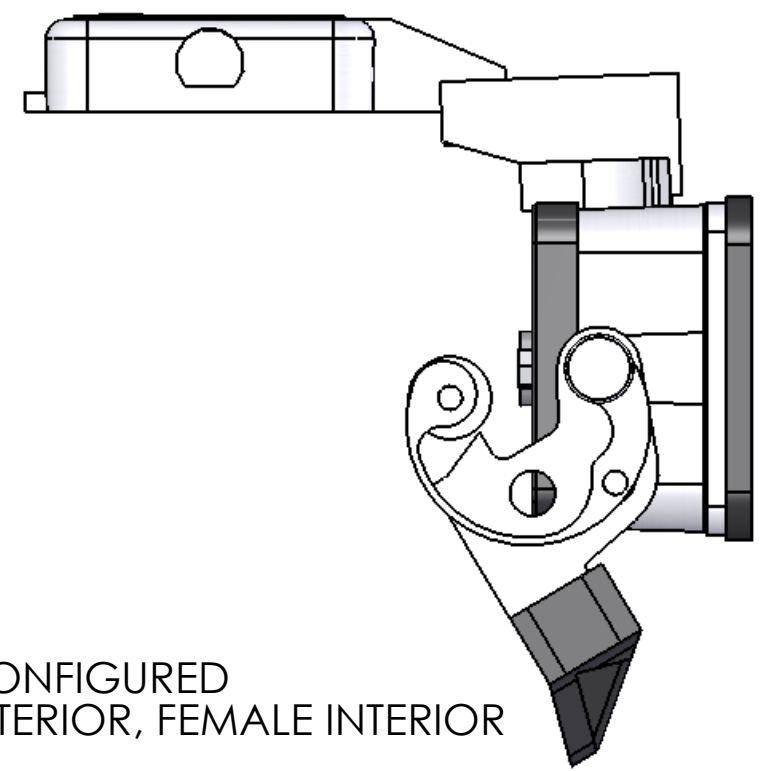
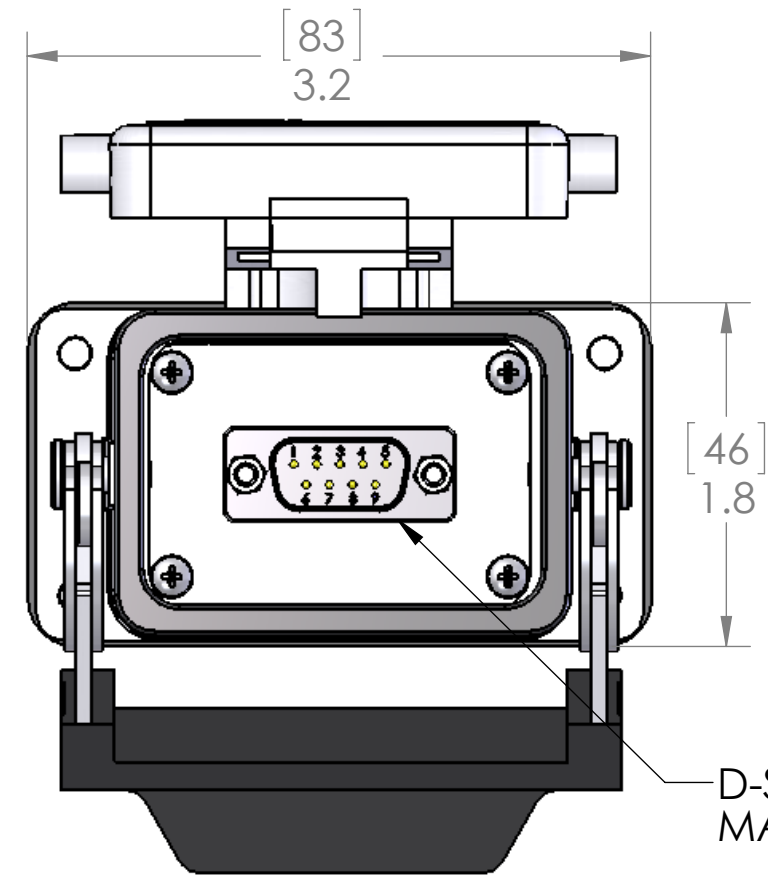
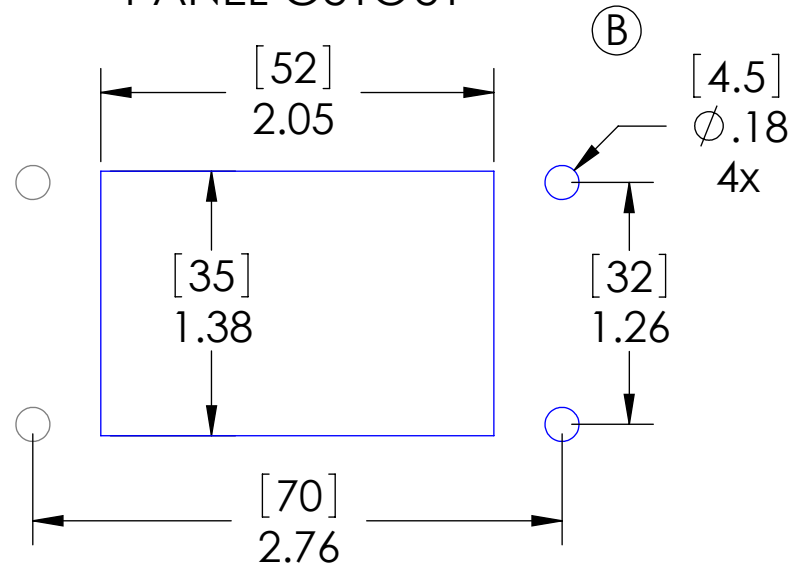


| REVISIONS | | | |
|-----------|----------------------------|------------|----------|
| REV. | DESCRIPTION | DATE | APPROVED |
| A | INITIAL RELEASE | 9/13/2005 | |
| B | CORRECTED PANEL CUTOUT DIM | 11/17/2011 | |



D-SUB CONFIGURED
MALE EXTERIOR, FEMALE INTERIOR

PANEL CUTOUT



| PIC RATINGS | |
|-------------|-----------|
| NEMA/UL: | 4, 4X, 12 |

PROPRIETARY AND CONFIDENTIAL
THE INFORMATION CONTAINED IN THIS DRAWING IS THE SOLE PROPERTY OF MENCOM CORPORATION. ANY REPRODUCTION IN PART OR AS A WHOLE WITHOUT THE WRITTEN PERMISSION OF MENCOM CORPORATION IS PROHIBITED.

UNLESS OTHERWISE SPECIFIED:
DIMENSIONS ARE IN INCHES & [MM]
MATERIAL
FINISH
DO NOT SCALE DRAWING

| HOUSING MATERIALS | |
|-------------------|--------------------------------|
| BODY: | EPOXY COATED DIE CAST ALUMINUM |
| GASKET: | THERMOPLASTIC ELASTOMER |
| HANDLE: | POLYAMIDE |
| LEVERS: | STAINLESS STEEL |

| APPROVALS | |
|-----------|-----------------|
| US | UL RECOGNIZED |
| CANADA | C-UL RECOGNIZED |

| | | |
|------------------------------|------------------------|-----------------|
| NAME CAM | | |
| TITLE: MENCOM CORPORATION | | |
| SIZE B | DWG. NO. DBM09-06LS | REV B |
| SCALE: 1:1 | WEIGHT: | SHEET 1 OF 1 |