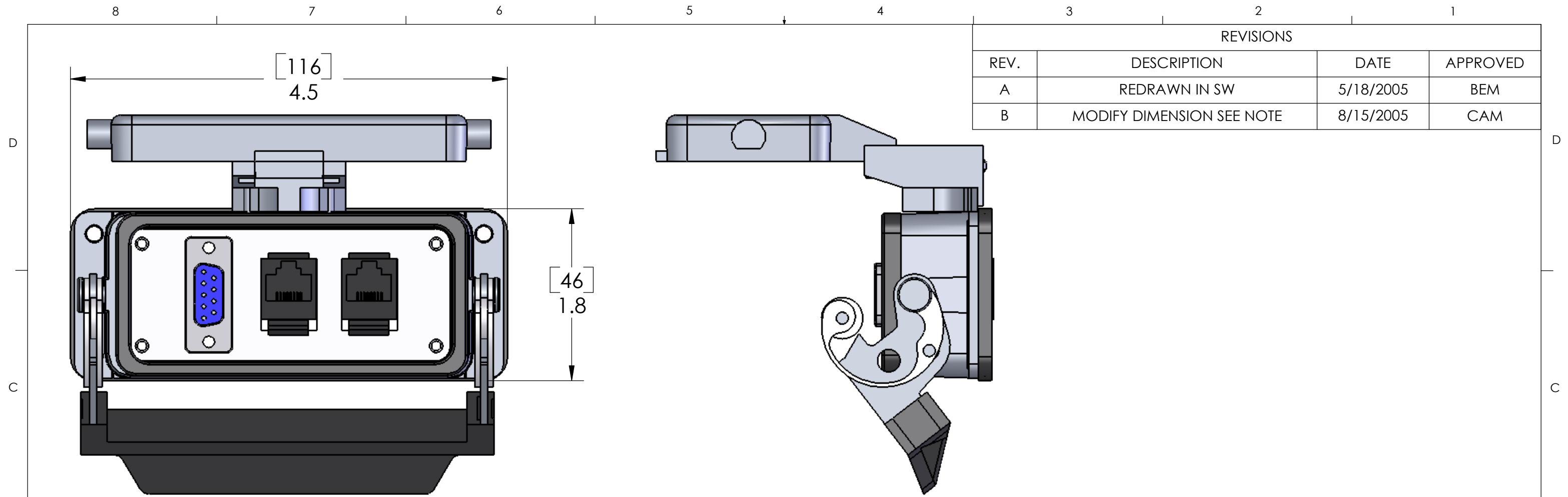
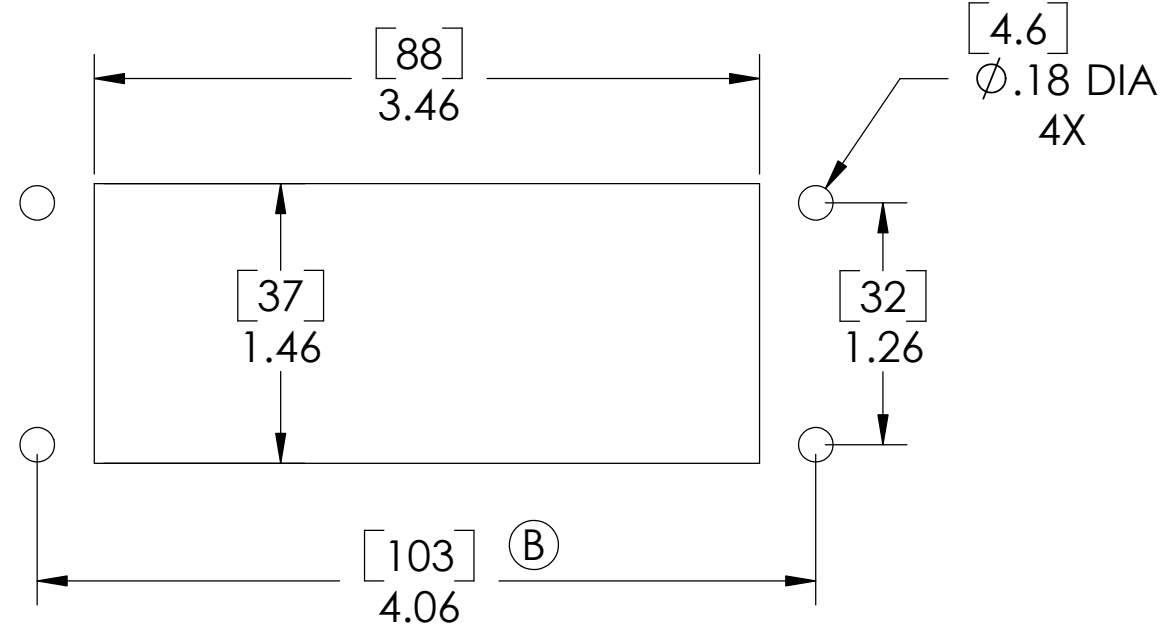


| REVISIONS | | | |
|-----------|---------------------------|-----------|----------|
| REV. | DESCRIPTION | DATE | APPROVED |
| A | REDRAWN IN SW | 5/18/2005 | BEM |
| B | MODIFY DIMENSION SEE NOTE | 8/15/2005 | CAM |



PANEL CUTOUT



| HOUSING MATERIALS | |
|-------------------|--------------------------------|
| BODY: | EPOXY COATED DIE CAST ALUMINUM |
| GASKET: | THERMOPLASTIC ELASTOMER |
| HANDLE: | POLYAMIDE |
| LEVERS: | STAINLESS STEEL |

| STANDARD CONFIGURATIONS UNLESS OTHERWISE NOTED | | |
|--|----------|----------|
| CONN. TYPE | EXTERIOR | INTERIOR |
| ALL D-SUBS | FEMALE | MALE |
| RJ | JACK | JACK |

PROPRIETARY AND CONFIDENTIAL
 THE INFORMATION CONTAINED IN THIS DRAWING IS THE SOLE PROPERTY OF MENCOM CORPORATION. ANY REPRODUCTION IN PART OR AS A WHOLE WITHOUT THE WRITTEN PERMISSION OF MENCOM CORPORATION IS PROHIBITED.

| UNLESS OTHERWISE SPECIFIED: | | NAME |
|-----------------------------|-----------|------|
| DIMENSIONS ARE IN INCHES | DRAWN | CAM |
| | CHECKED | |
| | ENG APPR. | |
| | MFG APPR. | |
| | Q.A. | |
| MATERIAL | COMMENTS: | |
| FINISH | | |
| DO NOT SCALE DRAWING | | |

| | | |
|--------------------|-----------------|--------------|
| MENCOM CORPORATION | | |
| TITLE: | | |
| SIZE | DWG. NO. | REV |
| B | DB09-2RJ45-16LS | B |
| SCALE: 1:1 | WEIGHT: | SHEET 1 OF 1 |