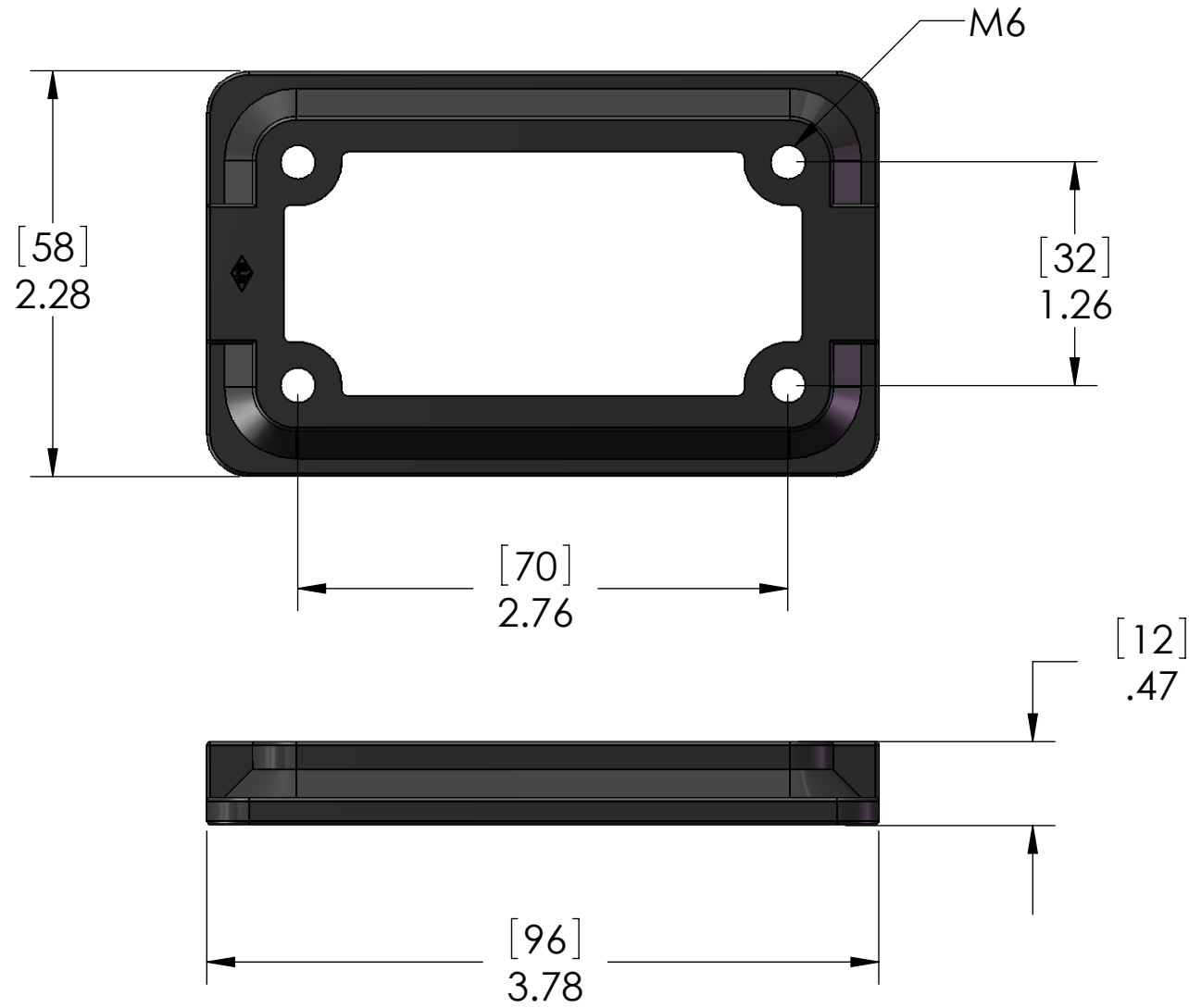


REVISIONS			
REV.	DESCRIPTION	DATE	APPROVED
A	Redrawn in sw	1/25/2010	



HOUSING MATERIALS	
BODY:	EPOXY COATED DIE CAST ALUMINUM

UNLESS OTHERWISE SPECIFIED: DIMENSIONS ARE IN INCHES AND [MM]	NAME	DWM
	DRAWN	
	CHECKED	
	ENG APPR.	
	MFG APPR.	
MATERIAL	COMMENTS:	
FINISH		
DO NOT SCALE DRAWING		

MENCORPORATION		
TITLE:		
SIZE	DWG. NO.	REV
<b>B</b>	CG-06FL	<b>A</b>
SCALE: 1:1	WEIGHT:	SHEET 1 OF 1

**PROPRIETARY AND CONFIDENTIAL**  
THE INFORMATION CONTAINED IN THIS DRAWING IS THE SOLE PROPERTY OF MENCORPORATION. ANY REPRODUCTION IN PART OR AS A WHOLE WITHOUT THE WRITTEN PERMISSION OF MENCORPORATION IS PROHIBITED.