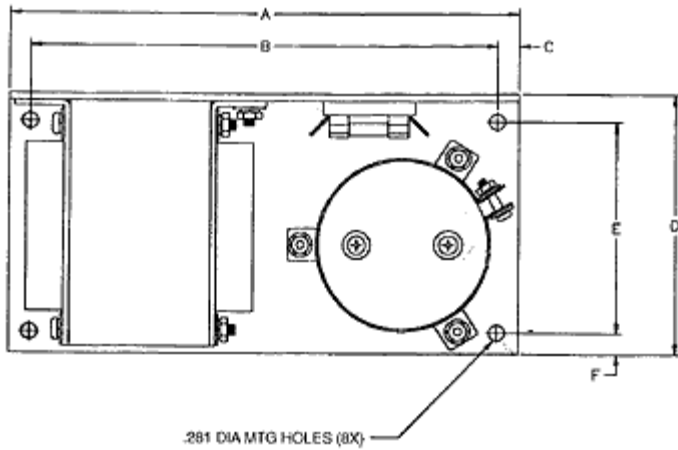


**SPECIFICATIONS: LINEAR POWER SUPPLY IP500U48 MADE IN THE U.S.A.**

| <p><b>VAC INPUT:</b></p> <ul style="list-style-type: none"> <li>120/240VAC, +/-10% (PRIMARY TAPS PROVIDED)</li> <li>FREQUENCY RANGE: 47-63HZ</li> </ul>  | <p><b>VAC JUMPERING AND FUSING</b></p> <table border="1"> <thead> <tr> <th>USE AT:</th> <th>108VAC</th> <th>120VAC</th> <th>132VAC</th> <th>216VAC</th> <th>240VAC</th> <th>264VAC</th> </tr> </thead> <tbody> <tr> <td>Jumper</td> <td>1&amp;5,2&amp;6</td> <td>1&amp;5,3&amp;7</td> <td>1&amp;5,4&amp;8</td> <td>2&amp;5</td> <td>3&amp;5</td> <td>4&amp;5</td> </tr> <tr> <td>Apply AC</td> <td>1&amp;2</td> <td>1&amp;3</td> <td>1&amp;4</td> <td>1&amp;6</td> <td>1&amp;7</td> <td>1&amp;8</td> </tr> <tr> <td>MaxCurrent/FuseRating</td> <td>8A</td> <td>8A</td> <td>8A</td> <td>4A</td> <td>4A</td> <td>4A</td> </tr> </tbody> </table> <p><b>REQUIREMENTS:</b><br/>SILKSCREENED ON CHASSIS FOR TRANSFORMER PRIMARY TERMINALS<br/>CAUTION! NOT TO BE USED WITH IEC127 STYLE FUSE. USE ONLY AMERICAN AGC TYPE</p> | USE AT: | 108VAC  | 120VAC | 132VAC | 216VAC | 240VAC | 264VAC | Jumper | 1&5,2&6 | 1&5,3&7 | 1&5,4&8 | 2&5 | 3&5 | 4&5 | Apply AC | 1&2 | 1&3 | 1&4 | 1&6 | 1&7 | 1&8 | MaxCurrent/FuseRating | 8A | 8A | 8A | 4A | 4A | 4A |
|--|---|---------|---------|--------|--------|--------|--------|--------|--------|---------|---------|---------|-----|-----|-----|----------|-----|-----|-----|-----|-----|-----|-----------------------|----|----|----|----|----|----|
| USE AT:  | 108VAC  | 120VAC  | 132VAC  | 216VAC | 240VAC | 264VAC |        |        |        |         |         |         |     |     |     |          |     |     |     |     |     |     |                       |    |    |    |    |    |    |
| Jumper   | 1&5,2&6   | 1&5,3&7 | 1&5,4&8 | 2&5    | 3&5    | 4&5    |        |        |        |         |         |         |     |     |     |          |     |     |     |     |     |     |                       |    |    |    |    |    |    |
| Apply AC   | 1&2   | 1&3     | 1&4     | 1&6    | 1&7    | 1&8    |        |        |        |         |         |         |     |     |     |          |     |     |     |     |     |     |                       |    |    |    |    |    |    |
| MaxCurrent/FuseRating  | 8A  | 8A      | 8A      | 4A     | 4A     | 4A     |        |        |        |         |         |         |     |     |     |          |     |     |     |     |     |     |                       |    |    |    |    |    |    |
| <p><b>UNREGULATED VDC OUT@NOMINAL LINE</b></p> <ul style="list-style-type: none"> <li>48.8 VDC @ 10 AMP FULL LOAD</li> <li>52.8 VDC @ HALF LOAD</li> <li>56.6 VDC @ 0 AMP</li> </ul> <p><b>DC CONNECTIONS:</b></p> <ul style="list-style-type: none"> <li>+OUT 0.250x0.032 FAST-ON AT FUSE BLOCK</li> <li>-OUT(DC-RETURN)10-32-SCREW/SOLDER TERMINAL AT MINUS SIDE OF THE CAPACITOR</li> </ul> | <p><b>EFFICIENCY (TYPICAL):</b></p> <ul style="list-style-type: none"> <li>75% TO 80% FULL LOAD</li> </ul> <p><b>SHORT CIRCUIT PROTECTION:</b></p> <ul style="list-style-type: none"> <li>OUTPUT FUSED @ 15 AMP</li> </ul>  |         |         |        |        |        |        |        |        |         |         |         |     |     |     |          |     |     |     |     |     |     |                       |    |    |    |    |    |    |
| <p><b>LINE REGULATION:</b></p> <ul style="list-style-type: none"> <li>EQUAL TO % LINE CHANGE</li> </ul>  | <p><b>LOAD REGULATION @ NOMINAL LINE</b></p> <ul style="list-style-type: none"> <li>9% FOR A 50% TO 100% LOAD CHANGE<br/>(DERATE OUTPUT CURRENT 10% FOR 58 HZ OPERATION)</li> </ul>   |         |         |        |        |        |        |        |        |         |         |         |     |     |     |          |     |     |     |     |     |     |                       |    |    |    |    |    |    |
| <p><b>OUTPUT RIPPLE:</b> AT FULL LOAD 3% RMS MAXIMUM</p>   | <p><b>MTBF:</b> 1,800,000 HRS. CALCULATED PER MIL-HDBK-217F/25°C/GROUND BENIGN</p>  |         |         |        |        |        |        |        |        |         |         |         |     |     |     |          |     |     |     |     |     |     |                       |    |    |    |    |    |    |
| <p><b>TEMPERATURE RATINGS:</b></p> <ul style="list-style-type: none"> <li>OPERATING: 0°C TO 55°C FULL RATED<br/>DERATED LINEARLY TO 40% @ 70°C</li> <li>STORAGE: -40°C TO + 95°C</li> </ul>  | <p><b>EMI/RFI:</b> INHERENT LOW CONDUCTED AND REDIATED NOISE LEVELS.</p> <ul style="list-style-type: none"> <li>EMI: FCC CFR TITLE 47 PART 15 SUB-PART B</li> <li>RFI: EN55022/CISPR22-LEVEL B COMPATIBILITY</li> </ul>   |         |         |        |        |        |        |        |        |         |         |         |     |     |     |          |     |     |     |     |     |     |                       |    |    |    |    |    |    |
| <p><b>VIBRATION:</b></p> <ul style="list-style-type: none"> <li>MIL-STD-810G, METHOD 514.6, CATEGORY 1, PROCEDURE1</li> <li>RANDOM VIBRATION 10Hz - 2KHz, 6.15 grams (3 axis)</li> </ul>   | <p><b>SHOCK:</b></p> <ul style="list-style-type: none"> <li>MIL-STD-810G, METHOD 516.6, PROCEDURE III</li> <li>OPERATING: 20 GPK</li> </ul>   |         |         |        |        |        |        |        |        |         |         |         |     |     |     |          |     |     |     |     |     |     |                       |    |    |    |    |    |    |

UL recognized for US and Canada – File#E133338/ CE Mark: LVD 92/59/EEC/ RoHS-5 Lead in Solder Exemption  
US and Canadian(Bi-National) standards: ANSI/UL 60950-1/-21; CAN/CSA C22.2 #60950-1/-21; IEC 60950-1

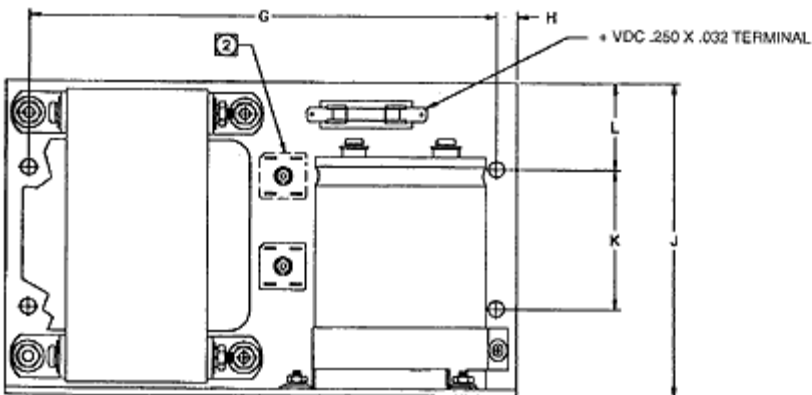
## CASE SIZE: IP500U



### IP500U Case

Overall Size: 9.00" x 5.62" x 4.62"  
228.60mm x 142.75mm x 117.35mm  
Weight 18 lbs.

Note:  
② Optional location for additional Rectifier



|   | INCH  | mm     |
|---|-------|--------|
| A | 9.00  | 228.6  |
| B | 8.25  | 209.55 |
| C | .37   | 9.40   |
| D | 4.62  | 117.35 |
| E | 3.750 | 95.25  |
| F | .38   | 9.65   |
| G | 8.240 | 209.30 |
| H | .35   | 8.89   |
| J | 5.62  | 142.75 |
| K | 2.500 | 63.50  |
| L | 1.56  | 39.62  |