

“Stay Connected” with



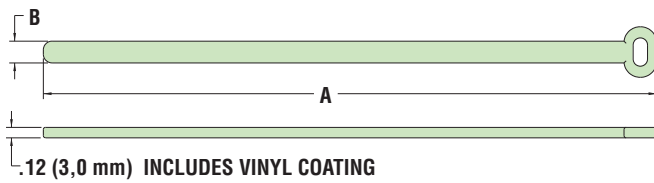
Solar Power Components

a PennEngineering® Company

Heyco® SunStrap

PVC Coated Stainless Steel Strap

PART SPECIFICATIONS				PART NO.	DESCRIPTION	PART DIMENSIONS			
Max. Tensile Strength		Max. Bundle Diameter				A Length		B Diameter	
Lbs.	N	in.	mm.			in.	mm.	in.	mm.
200	890	2.0	50,8	S6608	SunStrap 8	8	203,0	.25	6,4
		3.0	76,2	S6612	SunStrap 12	12	304,8		



- Heavy Duty construction for harsh environments.
- 200 pounds pull force.
- Releasable and reusable.
- Tensile Strength shown is based on Max Bundle Diameter.
- Larger bundle diameters possible; will affect tensile strength

Heyco® SunHangers

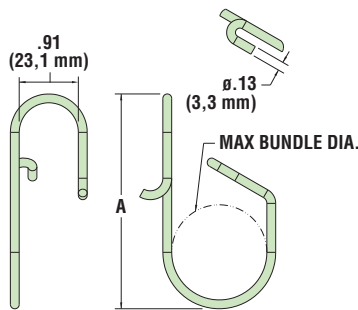
Plain and PVC Coated Stainless Steel Hangers

MAX BUNDLE DIAMETER		PART NO.	DESCRIPTION	OVERALL HEIGHT A	
in.	mm.			in.	mm.
1.375	34,9	S6580	SunHanger 1375	3.11	79,0
		S6581	SunHanger 1375 Coated Black	3.19	81,0
		S6582	SunHanger 1375-90	3.11	79,0
		S6583	SunHanger 1375-90 Coated Black	3.22	81,8
2.000	50,8	S6584	SunHanger 2000	3.70	93,9
		S6585	SunHanger 2000 Coated Black	3.75	95,3
		S6586	SunHanger 2000-90	3.70	93,9
		S6587	SunHanger 2000-90 Coated Black	3.78	96,0

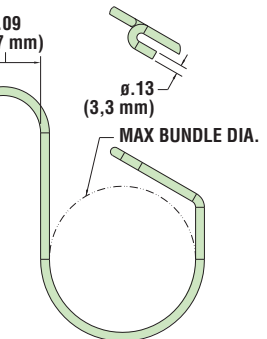
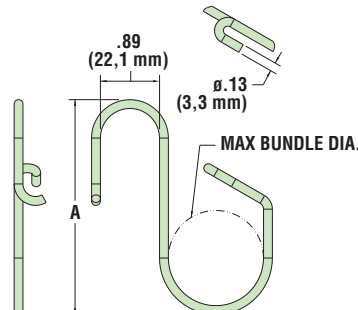


- Heavy Duty stainless steel construction for harsh outdoor environments.
- Heavy Duty .05" (0,3 mm) PVC coating stands up to harsh environments and provides additional protection to cables.
- Easy application – hang from module mounting holes or other structures
- Releasable and reusable – allows for easy maintenance and serviceability.
- Simply bend the lower portion to engage hook and secure cables.
- Multiple SKUs to accommodate various cable routing orientations.

S6581



S6583



S6587

Material Plain and PVC Coated 304 Stainless Steel
 Temperature Range -40°F (40°C) to 194°F (90°C)