

“Stay Connected” with



HEYware Products

a PennEngineering® Company

## Heyco® Hinged Edge Strain Relief Bushings

Designed for Rectangular Edge Slot or Split Panel Mounting – suitable for retrofit applications

WILL FIT THESE CABLES				PANEL DIMENSIONS						PART NO. Black	DESCRIPTION	BODY LENGTH	
UL Type	AWG/ Conds.	Approx. Size		Edge Slot or Split Panel X		Y		Thickness				in.	mm.

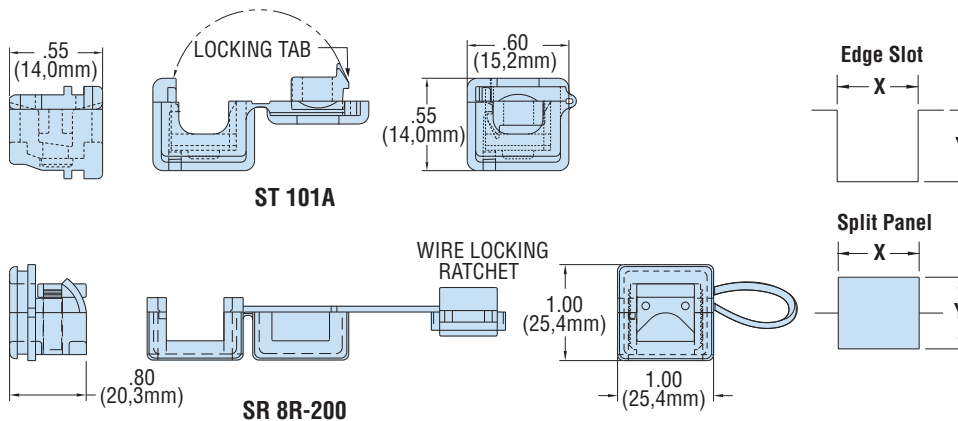
**ST 101A** – For Round or Flat Cables

SV & SVT	18/2	.220	5,6	.512	13,0	.453	11,5	.06	1,6	1839	ST 101A	.55	14,0
		.245	6,2										
HPD	18/3	.250	6,4										
		.255	6,5										
HPD	18/2	.270	6,9										
	16/2	.290	7,4										

**SR 8R-200** – For Round, Flat or Multiple Cables

Round, Flat or Multiple	up to .600	up to 15,2	.875	22,2	.875	22,2	.10	2,5	1266	SR 8R-200	.80	20,3
-------------------------	------------	------------	------	------	------	------	-----	-----	------	-----------	-----	------

Standard color black. Consult Heyco for white and other colors



- Designed for rectangular edge slot or split panel mounting - suitable for retrofit applications.
- Independent of final mounting, Hinged Edge Strain Reliefs self-lock onto the cable and may be preassembled “off line” for final assembly at a later time or remote location.
- Rectangular design eliminates the possibility of part rotation under forces of twist.
- SR 8R-200’s unique wire locking ratchet allows for a generous wire range of .25” (6,4 mm) to .60” (15,2 mm).
- Heyco’s automated Pre-Assembly Equipment (for ST 101A only) speeds assembly onto the cable, reducing both cost and the risk of carpal tunnel syndrome. See pages 4-15 & 4-16 in the Heyco Catalog.
- For our complete line of Strain Relief Bushings, see Section 4 in the Heyco Catalog.



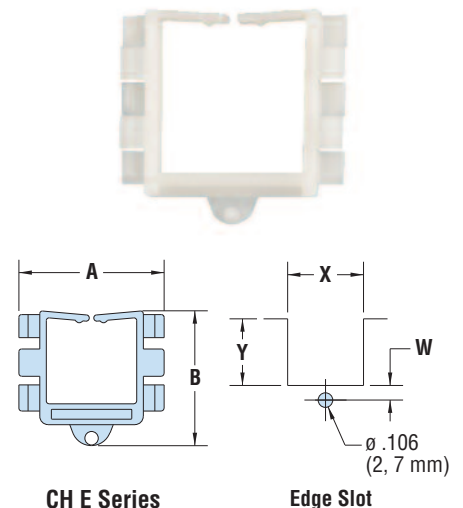
## HEYClip™ Edge Cable Holders

Designed for Rectangular Edge Slot Mounting - suitable for retrofit applications

WIRE CAPACITY		PANEL DIMENSIONS Edge Slot Size						Thickness		PART NO. Natural	DESC.	PART DIMENSIONS			
in.	mm.	X		Y		W		in.	mm.			A		B	
.46 x .29	11,6 x 7,4	.551	14,0	.484	12,4	.106	2,7	.031 - .063	0,8 - 1,6	4246	CH E-14	.78	19,8	.64	16,3
.66 x .59	16,7 x 15,0	.756	19,2	.831	21,1	.098	2,5	.031 - .063	0,8 - 1,6	4247	CH E-19	1.06	26,8	.98	24,9
.66 x .58	16,8 x 14,7	.827	21,0	.827	21,0	.094	2,4	.031 - .063	0,8 - 1,6	4248	CH E-21	1.13	28,8	.98	24,9
.90 x .91	22,8 x 23,1	1.063	27,0	1.140	29,0	.118	3,0	.031 - .063	0,8 - 1,6	4249	CH E-27	1.37	34,8	1.31	33,3

Standard color natural.

Material	Nylon 6/6
Certifications	Recognized under the Component Program of Underwriters' Laboratories File E15331 (ST & SR Parts only) Canadian Certified by Canadian Standards Association File 8919 (ST & SR Parts only)
Flammability Rating	94V-2
Temperature Range	32°F (0°C) to 221°F (105°C) - (ST & SR Parts) 32°F (0°C) to 185°F (85°C) - (CH E Parts)



CH E Series

Edge Slot