



## Heyco® Heavy Duty Ground Pins – Male

For Heavy Duty Blades, see pages 8-27 & 8-28

**Both Series:**

- Suitable for use in straight and right angle plugs.
- On termination, the strip and crimping die bends Angled Shape parts to 90°.
- All 250 and 312 Series are compatible with Heyco Heavy Duty Blades.
- DFARS Compliant

**250 Series:**

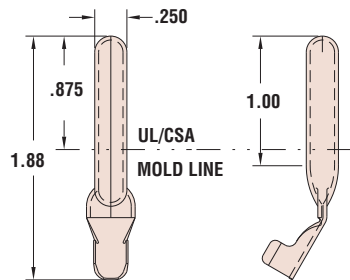
- a.k.a. “Travel Trailer” Grounding Pin.
- 30 Amp rating.
- Conductor crimp ears only.
- DFARS Compliant

**312 Series:**

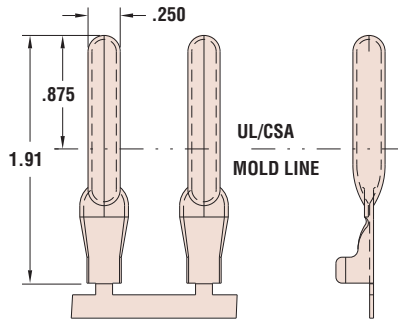
- Heavy Duty Grounding Pin.
- 30, 50 and 60 Amp rating.
- Conductor crimp ears only.
- DFARS Compliant

Overall Length in.	PART DATA			PART NO.	APPLICATION TOOLING*					
	Shape	AWG Range	Material		Die**	Feeds	Tool Packs	Crimp Punch	Anvil	
<b>250 Series - .250" (6,4 mm) outside diameter</b>										
1.88	Angled	14-10	Brass	<b>5930</b>	5930SXX5	Bulk	-	OB51	OB52	
1.91	Flat	14-10	Brass Brass	<b>5933</b> <b>5932</b>	5933UXX5 5932UXX5	Left to Right Right to Left	-	C901	0892	
<b>312 Series - .312" (7,9 mm) outside diameter</b>										
2.48	Angled	10-6	Brass	<b>6249</b>	6249SXX5	Bulk	-	OB51	OB53	

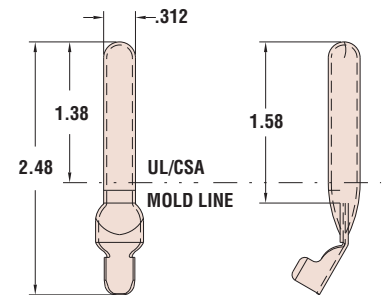
\* Use the Heyco Universal Applicator Die (indicated by “S” or “U” n the Die Part No.), page 8-59.  
 \*\* “XX” represents Wire Gauge. Please specify Wire Gauge when ordering.



250 Series Angled



250 Series Flat



312 Series

Quick Specs

Materials

Alloy 260 Brass (70% Cu, 30% Zn. Higher Cu content resists dezincification)