

“Stay Connected” with



Power Components

a PennEngineering® Company



## Heyco® Male/Female Combination Terminals – 27 Gauge

### Full Thickness Combination Blades - .058" Mold Line Thickness

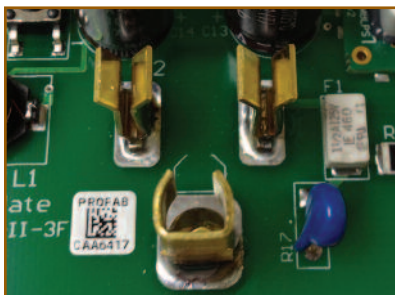
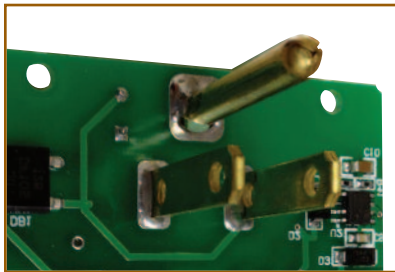
For Heyco’s complete line of Full Thickness Blades, see pages 8-31 thru 8-34.

#### 1186 Series

- Typical use is 3 to 2 wire grounding adapters and piggy-back current taps.
- Narrow at female end to allow for use of stronger mold loading pins.
- Female end is a wiping contact.
- 1.59" (40.4 mm) overall length.
- Available in bulk only.
- For less costly Padded version see **1189 Series** on page 8-57.
- DFARS Compliant

#### 1186-C Series

- Same as 1186 Series except conductor has crimping ears.
- Features a **notched blade** for high temperature pull-out requirements.
- Available in both bulk and strip form.
- For **lower cost** Padded version see page 8-57.
- DFARS Compliant



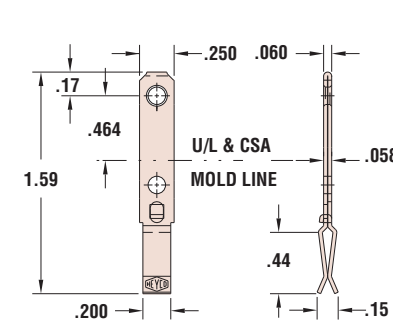
Overall Length in.	PART DATA			PART NO.		APPLICATION TOOLING*				
	Type	Width in.	Material	Non-polarized	Polarized	Die**	Feeds	Crimp Punch	Anvil	
<b>1186 Series - Flat Blades</b>										
1.59	Blade	.250	Brass	<b>6305</b>	-	-	Bulk	-	-	
	Blade	.313	Brass	-	<b>6313†</b>					
	Neutral	.250	Brass	-	<b>6314†</b>					
<b>1186-C Series - Flat Blades with Crimp</b>										
1.59	Blade	.250	Brass	<b>6304</b>	-	-	Bulk	-	-	
				<b>6306</b>	-	6306SXX5	Left to Right	019C	021C	
	Blade	.313	Brass	-	<b>6310††</b>	6310SXX5				
	Neutral	.250	Brass							

\* Use the Heyco Standard Applicator Die (indicated by “S” in the Die Part No.), page 8-59.

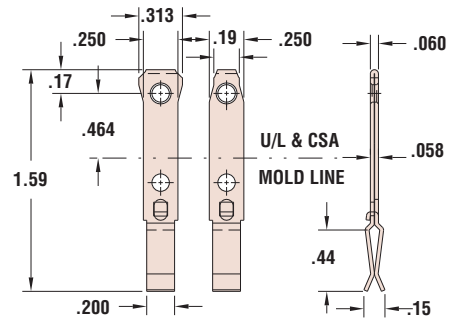
\*\* “XX” represents Wire Gauge. Please specify Wire Gauge when ordering.

† Parts are not UL Recognized and **must be purchased together in equal quantities.**

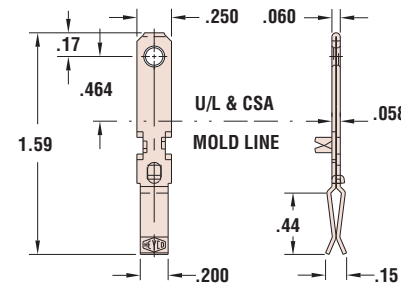
†† Polarized pair in strip form, not UL Recognized.



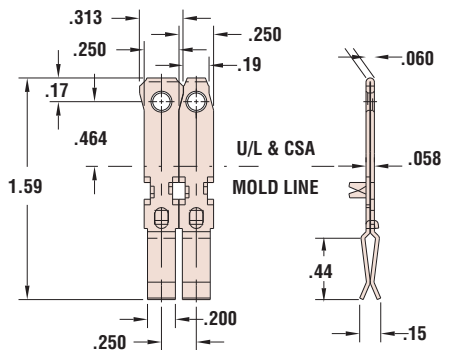
6305



6313 & 6314 (must be purchased together)



6304 (bulk) & 6306 (strip)



6310

Quick Specs

Material  
Certifications

Alloy 260 Brass (70% Cu, 30% Zn. Higher Cu content resists dezincification)  
Recognized Component under UL File E164169