



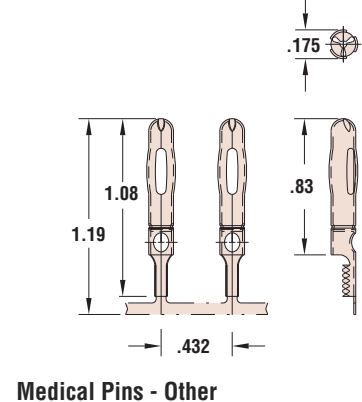
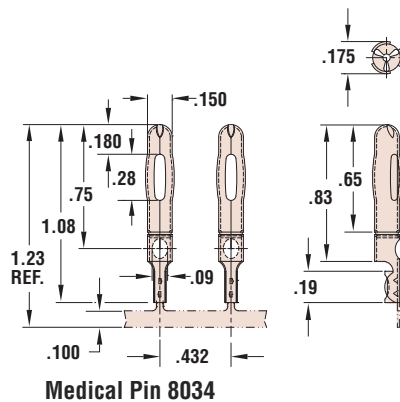
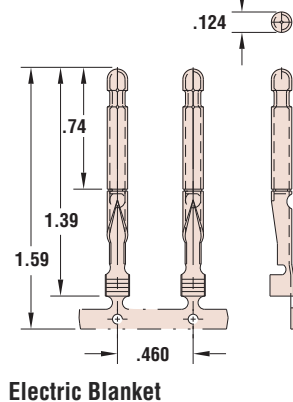
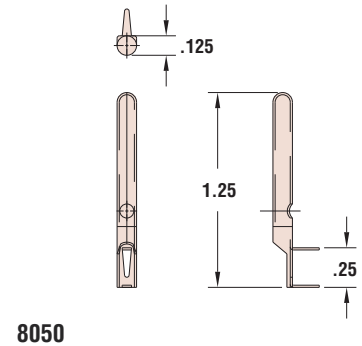
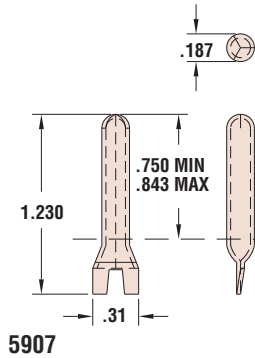
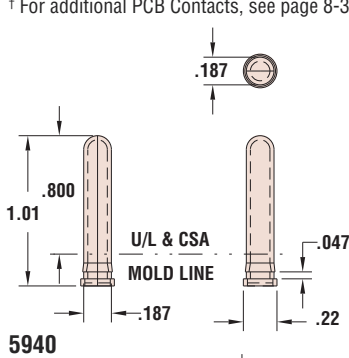
# Heyco® Specialty Pins



Overall Length in.	Dia. in.	PART DATA			PART NO.	APPLICATION TOOLING*				
		Type	AWG Range	Material		Die**	Feeds	Tool Packs	Crimp Punch	Anvil
<b>PCB†</b>										
1.01	.187	Snap-thru	-	Brass	<b>5940</b>	-	Bulk	-	-	-
1.23	.187	Solder	-	Brass	<b>5907</b>					
1.25	.125	90°	-	Tin-PI	<b>8050</b>					
<b>Electric Blanket</b>										
1.59	.125	-	26-18	Brass	<b>7086</b>	7086UXX5	Left to Right	B310L/B311L	C436	C440
<b>Medical Pins-Ribs</b>										
1.23	.178	IDC - 3	28-24	Brass	<b>8034</b>	8034UXX5	Left to Right	B968L/B969L	C706	C705
1.19	.178	VE - 3	26-22	Brass	<b>8032</b>	8032UXX5	Left to Right	B900L/B901L	C143	C147
			26-30	Post-Ni	<b>8033</b>	8033UXX5				
		AL - 3	26-22	Post-Ni	<b>8036</b>	8036UXX5				
		WB - 4	26-22	Brass	<b>8030</b>	8030UXX5				

- PCB pins designed for use with circuit boards.
- **Medical Pins** feature insulation crimp and dimples on barrel for added strain relief and better contact.
- DFARS Compliant

\* Heyco high volume Application Tooling, designed for 3-5 ton presses - see page 8-59.  
 Heyco Mini Applicators, designed for 1.5-3 ton bench top presses, are available - see page 8-59.  
 \*\* “XX” represents Wire Gauge. Please specify Wire Gauge when ordering.  
 † For additional PCB Contacts, see page 8-38.



**Materials**  
 Alloy 260 Brass (70% Cu, 30% Zn. Higher Cu content resists dezincification)  
 Tin-PI = Brass, Tin plated before or after stamping  
 Post-Ni = Brass, Nickel plated after stamping

*Quick Specs*