



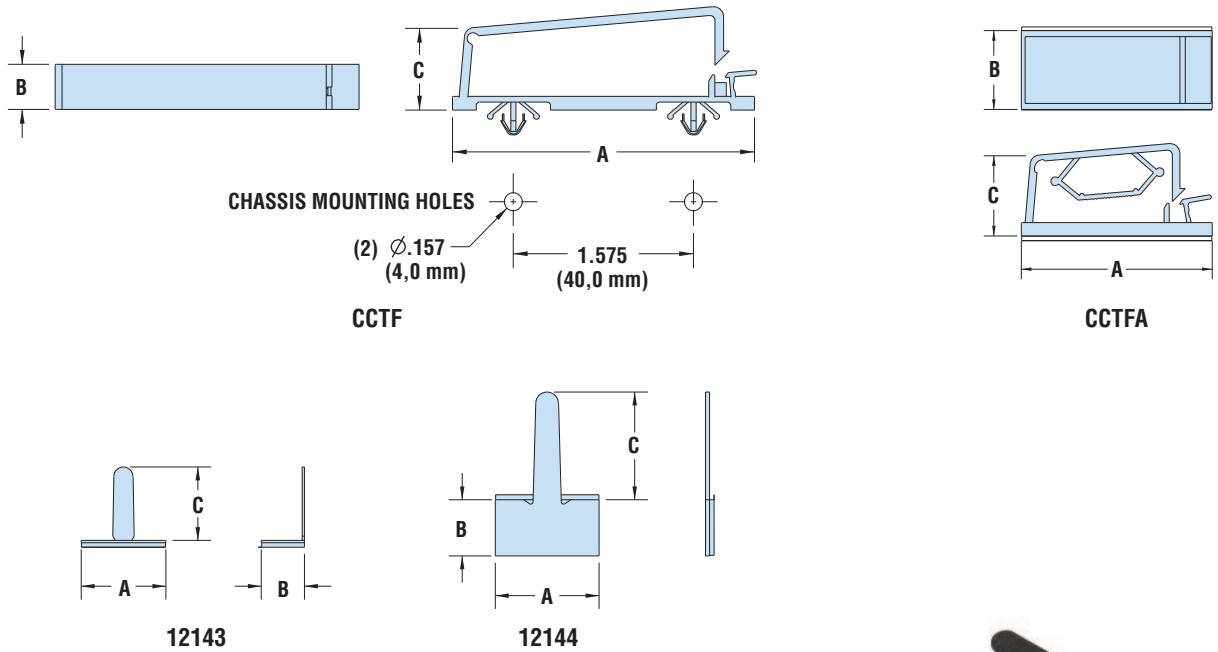
Heyco® Compression Cable Clamps

WIRE CAPACITY		Pin Count	PART NO.	DESCRIPTION	PART DIMENSIONS					
Volume					A Length	B Width		C Height		
in.	mm.			in.	mm.	in.	mm.	in.	mm.	
Double Arrowhead Mount										
2.11 x .45	53,5 x 11,5	40	12121	CCTF-40A	2.64	67,0	.39	10,0	.63	16,0
Adhesive Back Mount										
1.26 x .45	32,0 x 11,5	30	12124	CCTFA-30	1.77	45,0	.73	18,6	.62	15,8
2.57 x .41	65,2 x 10,5	50	12126	CCTFA-50	3.08	78,3	.74	18,8		

Standard color natural.



- Hinged style allows for easy addition or removal of cables.
- Secures cable into place with easy installation.
- Will not strain cable.



Heyco® Cable Stays

Adhesive Back Mount



Base Length		Base Width		Tongue Length		PART NO.	DESCRIPTION
in.	mm.	in.	mm.	in.	mm.		
.59	15,1	.30	7,7	.52	13,1	12143	CS-5930A
.73	18,5	.39	10,0	.76	19,2	12144	CS-7339A



- Provide a secure, yet simple fastening for cables.
- Adhesive back mount results in a very secure attachment.

Material	Compression Cable Clamps	Material	Cable Stays
Flammability Rating	Nylon 6/6	Temperature Range	Electrolytic Tin-Plated Steel with 3M Adhesive Tape
Temperature Range	94V-2		Application Temperature: 70°F (21°C) to 100°F (38°C)
	32°F (0°C) to 185°F (85°C)		Operating Temperature: -40°F (-40°C) to 176°F (80°C)