

SEISMIC NETWORK BAY SPACERS (15" DEPTH: 5 - 5 - 5 CONFIG)

MATERIAL: CARBON STEEL

FINISH OPTIONS:

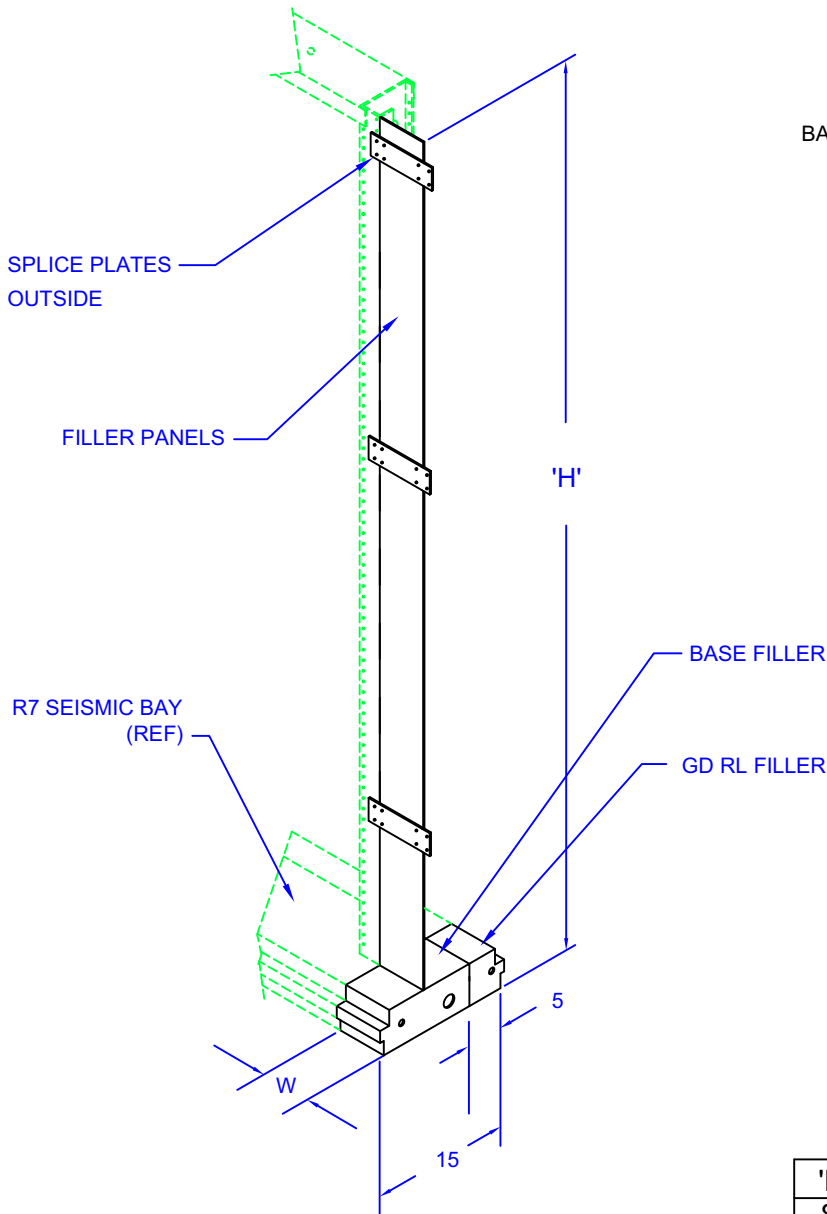
- x = 1: MTP GRAY
- x = 3: NETWORK BLUE
- x = 4: OFF WHITE
- OTHER FINISHES AVAILABLE

INCLUDES:

- FILLER PANEL
- JUNCTION PLTS
- BASE FILLER
- GUARD RAIL FILLER
- ASSEMBLY HARDWARE

BASE DEPTH OPTIONS:

SEE PAGE 5-03 FOR CODES



'H'	W	PART #
84	2.5	R7SP0842B-x
84	5.0	R7SP0845B-x
84	10.0	R7SP08410B-x
108	2.5	R7SP1082B-x
108	5.0	R7SP1085B-x
108	10.0	R7SP10810B-x
138	2.5	R7SP1382B-x
138	5.0	R7SP1385B-x
138	10.0	R7SP13810B-x

(08/05/09)



Moreng Telecom Products
973-237-2001
www.morengtel.com