

# R7R NETWORK BAYS - SEISMIC

(12 x 26 FOOTPRINT)

OPEN DUCT

7' HIGH

MATERIAL: CARBON STEEL

FINISH OPTIONS:

x = 1: MTP GRAY

x = 3: NETWORK BLUE

x = 4: OFF WHITE

OTHER FINISHES AVAILABLE

INCLUDES:

WELDED FRAME

JUNCTION KITS

BASE COVER

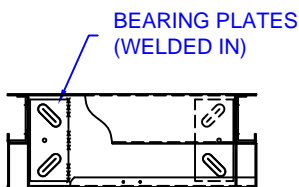
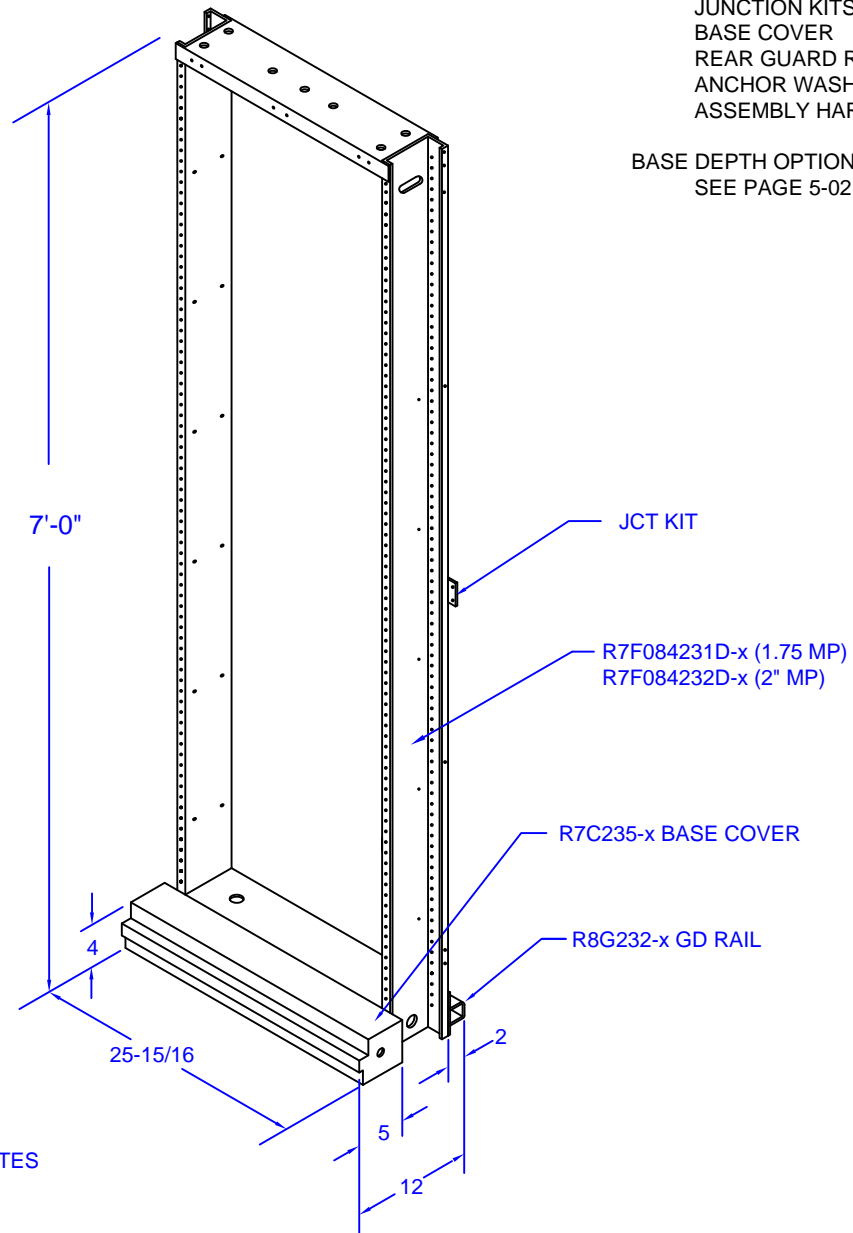
REAR GUARD RAIL

ANCHOR WASHERS

ASSEMBLY HARDWARE

BASE DEPTH OPTIONS:

SEE PAGE 5-02 FOR CODES



## FLOOR MOUNTING

(PER GR-63-CORE -FIG 2-1)

(FLOOR ANCHORS - NOT INCLUDED)

MTG PATTERN	PART #
1.75 x 23	R7R084231D-x
2.00 x 23	R7R084232D-x

(08/05/09)



Moreng Telecom Products  
973-237-2001  
www.morengtel.com