

NETWORK BAYS
 (18 x 26 FOOTPRINT)
 CLOSED DUCT
 7' HIGH

MATERIAL: CARBON STEEL

FINISH OPTIONS:

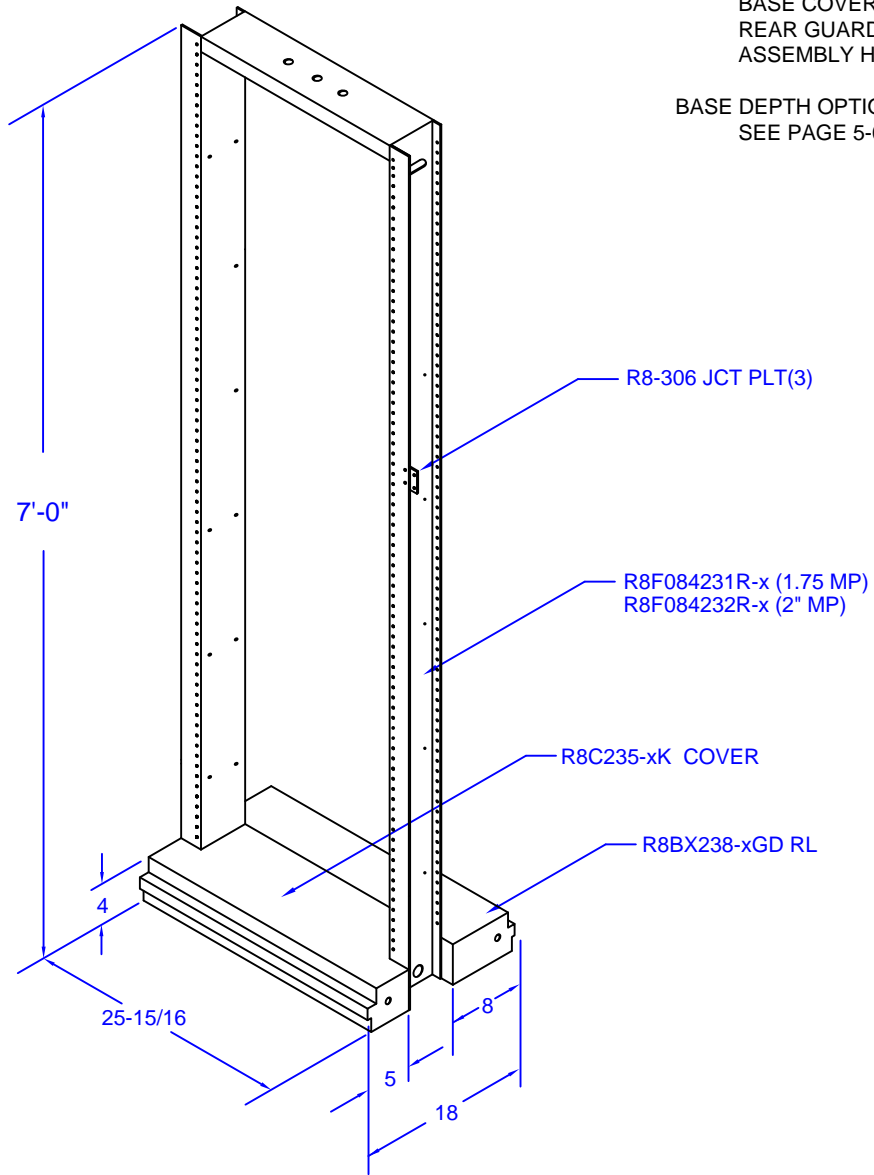
- x = 1: MTP GRAY
- x = 3: NETWORK BLUE
- x = 4: OFF WHITE
- OTHER FINISHES AVAILABLE

INCLUDES:

- WELDED FRAME
- JUNCTION PLTS
- BASE COVER
- REAR GUARD RAIL
- ASSEMBLY HARDWARE

BASE DEPTH OPTIONS:

SEE PAGE 5-02 FOR CODES



MTG PATTERN	PART #
1.75 x 23(44)	R8R084231J-x
2.00 x 23(38)	R8R084232J-x

{08/05/09}



Moreng Telecom Products
 973-237-2001
 www.morengtel.com