

NETWORK BAYS
 (12 x 22 FOOTPRINT)
 CLOSED DUCT
 7' HIGH

MATERIAL: CARBON STEEL

FINISH OPTIONS:

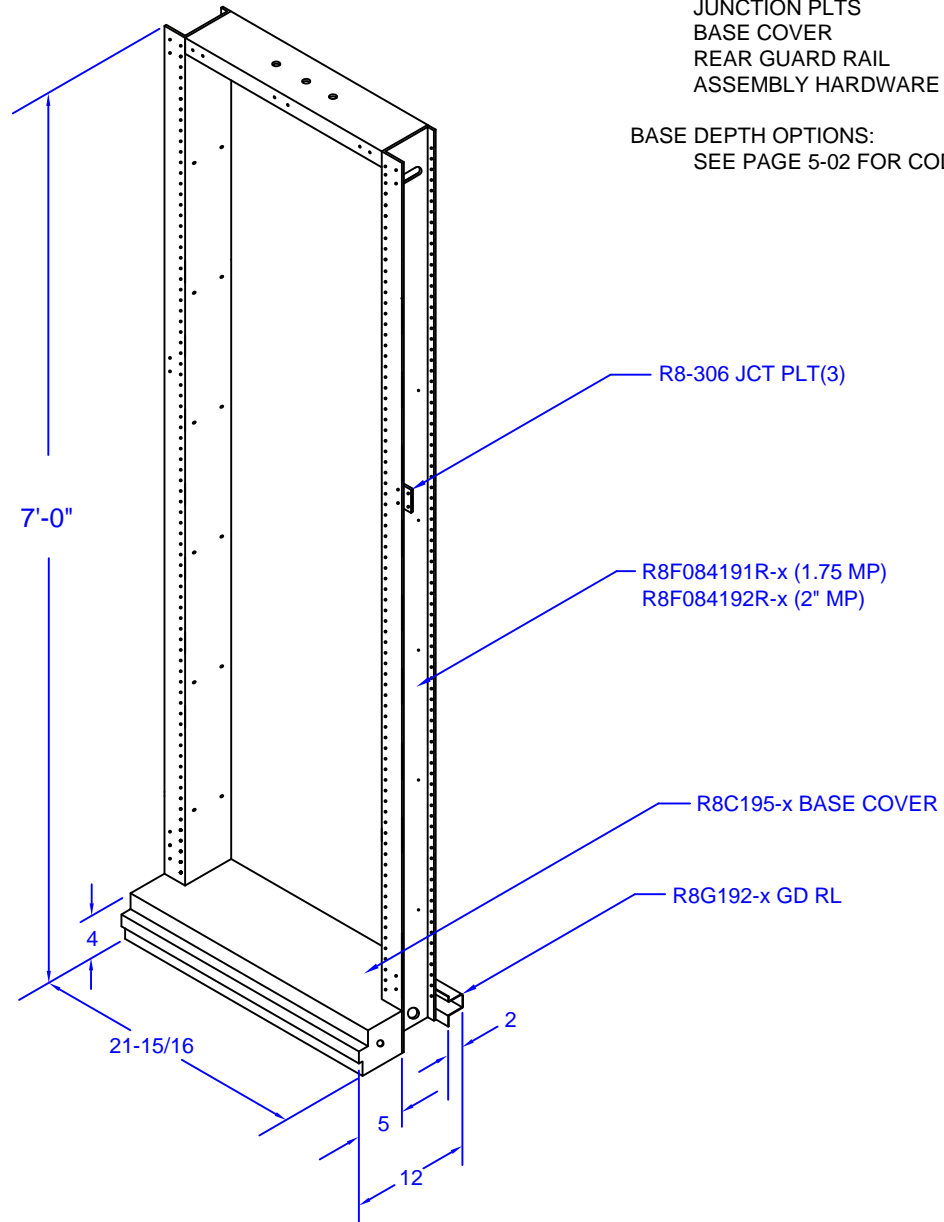
- x = 1: MTP GRAY
- x = 3: NETWORK BLUE
- x = 4: OFF WHITE
- OTHER FINISHES AVAILABLE

INCLUDES:

- WELDED FRAME
- JUNCTION PLTS
- BASE COVER
- REAR GUARD RAIL
- ASSEMBLY HARDWARE

BASE DEPTH OPTIONS:

SEE PAGE 5-02 FOR CODES



| MTG PATTERN | PART # |
|-------------|--------------|
| 1.75 x 19 | R8R084191R-x |
| 2.00 x 19 | R8R084192R-x |

(08/04/09)



Moreng Telecom Products
 973-237-2001
 www.morengtel.com