

NETWORK BAYS
 (12 x 26 FOOTPRINT)
 OPEN DUCT IN FRONT
 7' HIGH

MATERIAL: CARBON STEEL

FINISH OPTIONS:

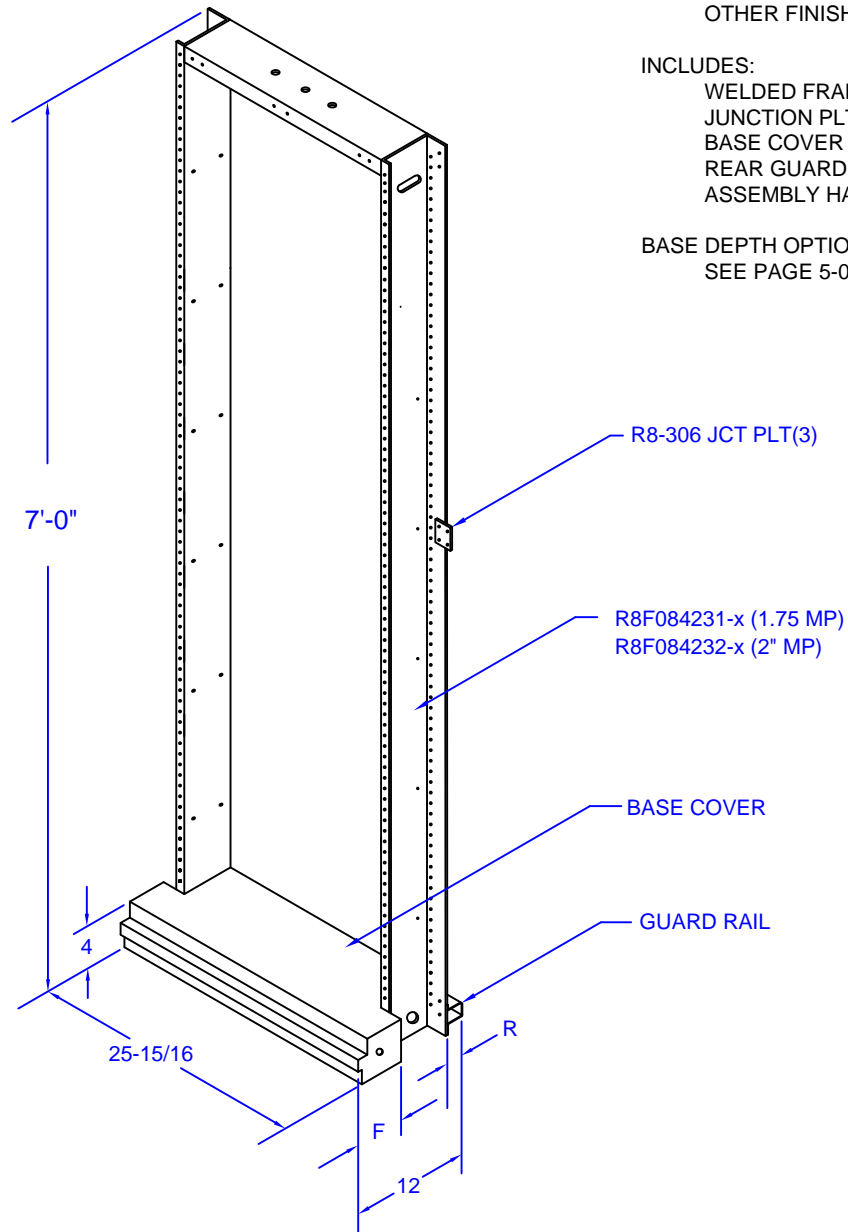
- x = 1: MTP GRAY
- x = 3: NETWORK BLUE
- x = 4: OFF WHITE
- OTHER FINISHES AVAILABLE

INCLUDES:

- WELDED FRAME
- JUNCTION PLTS
- BASE COVER
- REAR GUARD RAIL
- ASSEMBLY HARDWARE

BASE DEPTH OPTIONS:

SEE PAGE 5-02 FOR CODES



MTG PATTERN	'F'	'R'	PART #
1.75 x 23	6	1	R8R084231-x
2.00 x 23	6	1	R8R084232-x
1.75 x 23	5	2	R8R084231D-x
2.00 x 23	5	2	R8R084232D-x

* DSX CONFIG

*

(08/0x/09)



Moreng Telecom Products
 973-237-2001
 www.morengtel.com