

NETWORK BAYS
 (12 x 26 FOOT PRINT)
 OPEN DUCT
 9' & 11'-6" HIGH

MATERIAL: CARBON STEEL

FINISH OPTIONS:

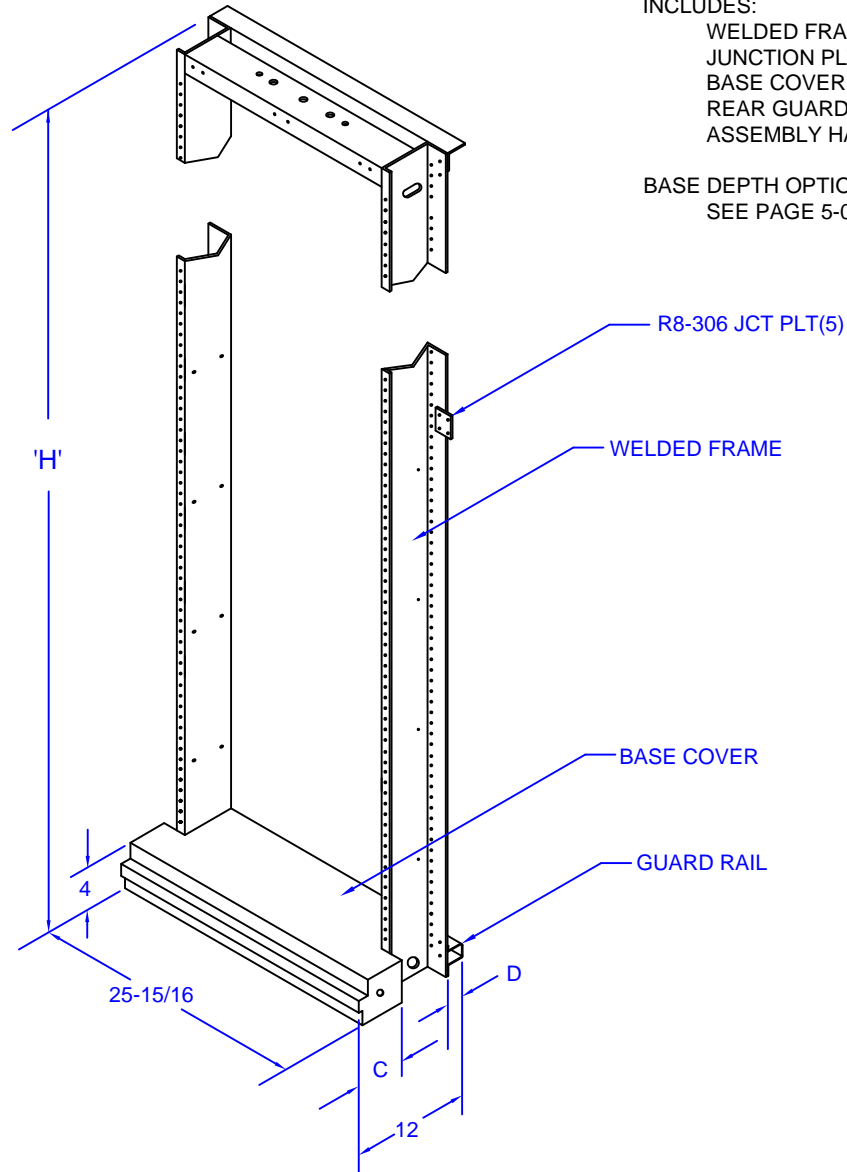
- x = 1: MTP GRAY
- x = 3: NETWORK BLUE
- x = 4: OFF WHITE
- OTHER FINISHES AVAILABLE

INCLUDES:

- WELDED FRAME
- JUNCTION PLTS
- BASE COVER
- REAR GUARD RAIL
- ASSEMBLY HARDWARE

BASE DEPTH OPTIONS:

SEE PAGE 5-02 FOR CODES



'H'	MTG PATTERN	C	D	PART #
9'-0"	1.75 x 23	6	1	R8R108231-x
9'-0"	2.00 x 23	6	1	R8R108232-x
* 9'-0"	2.00 x 23	5	2	R8R108232D-x
11'-6"	1.75 x 23	6	1	R8R138231-x
11'-6"	2.00 x 23	6	1	R8R138232-x
* 11'-6"	2.00 x 23	5	2	R8R138232D-x

* DSX CONFIG

(08/04/09)



Moreng Telecom Products
 973-237-2001
 www.morengtel.com