

**NETWORK BAYS
JUNCTION PLATE KITS
BAY TO BAY**

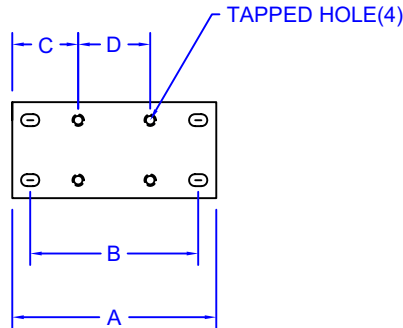
MATERIAL: CARBON STEEL

FINISH OPTIONS:

- x = 1: MTP GRAY
- x = 3: NETWORK BLUE
- x = 4: OFF WHITE
- OTHER FINISHES AVAILABLE

INCLUDES:

- JUNCTION PLATE
- ASSEMBLY HARDWARE



SPACE	A	B	C	D	PART #
2.50	4.25	3.50	1.38	1.50	R8-301-xK
5.00	6.75	6.00	1.38	4.00	R8-302-xK
0	1.75	1.00	0.00	0.00	R8-306-xK
10.00	11.75	11.00	1.38	9.00	R8-395-xK

**NETWORK BAYS
JUNCTION PLATE KITS
BAY TO END GUARD**

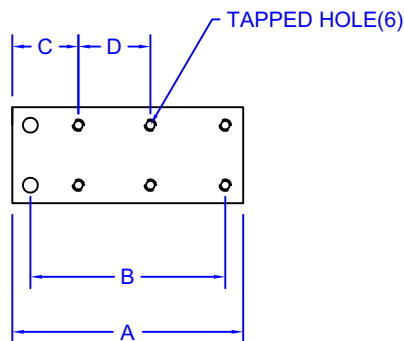
MATERIAL: CARBON STEEL

FINISH OPTIONS:

- x = 1: MTP GRAY
- x = 3: NETWORK BLUE
- x = 4: OFF WHITE
- OTHER FINISHES AVAILABLE

INCLUDES:

- JUNCTION PLATE
- ASSEMBLY HARDWARE



SPACE	A	B	C	D	PART #
2.50	4.81	4.06	1.38	1.50	R8-303-xK
5.00	7.31	6.56	1.38	4.00	R8-313-xK
0	2.25	1.56	0.00	0.00	R8-311-xK

