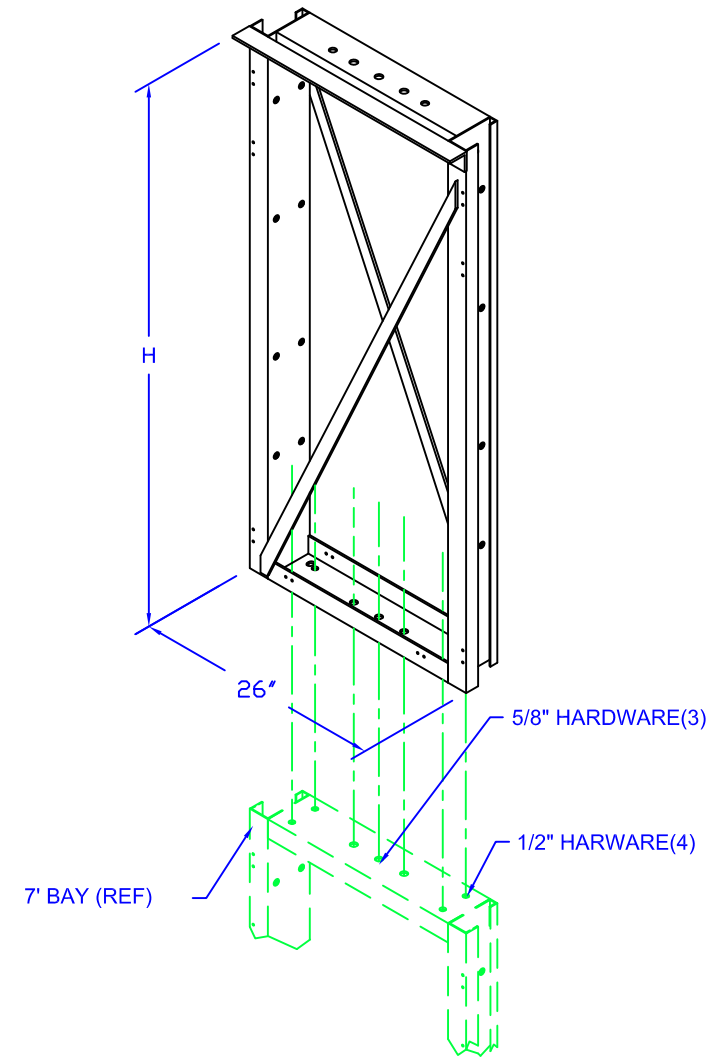
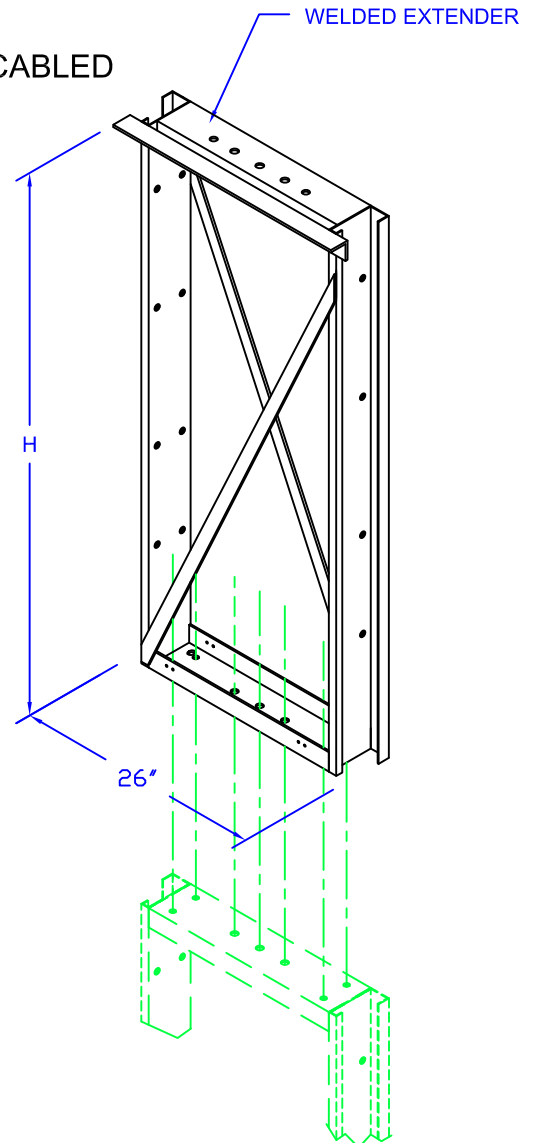


SEISMIC NETWORK BAY EXTENDERS

REAR CABLED



FRONT CABLED



MATERIAL: CARBON STEEL

FEATURES:

- NEBS CERTIFIED
- BRACES & ABSENCE OF MOUNTING HOLES PREVENT EQUIPMENT INSTALLATION
- BOTTOM HOLES MATCH OTHER NEBS SEISMIC BAY MANUFACTURERS

FINISH OPTIONS:

- x = 1: MTP GRAY
- x = 3: NETWORK BLUE
- x = 4: OFF WHITE

INCLUDES:

- WELDED FRAME
- JUNCTION PLATES
- ASSEMBLY HARDWARE

H	REAR CABLED MTP PN #	FRONT CABLED MTP PN #
54	R7R054230-x	R7R054230A-x
24	R7R024230-x	R7R024230A-x
12	R7R012230-x	R7R012230A-x

(02/21/11)



Moreng Telecom Products
973-237-2001
www.morengtel.com