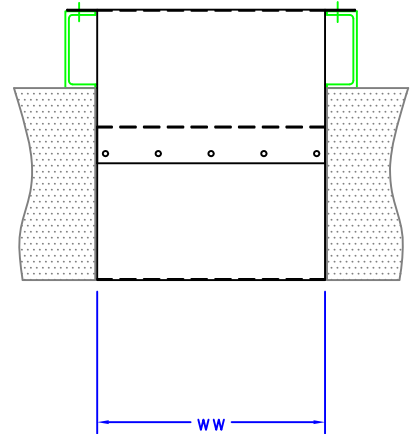
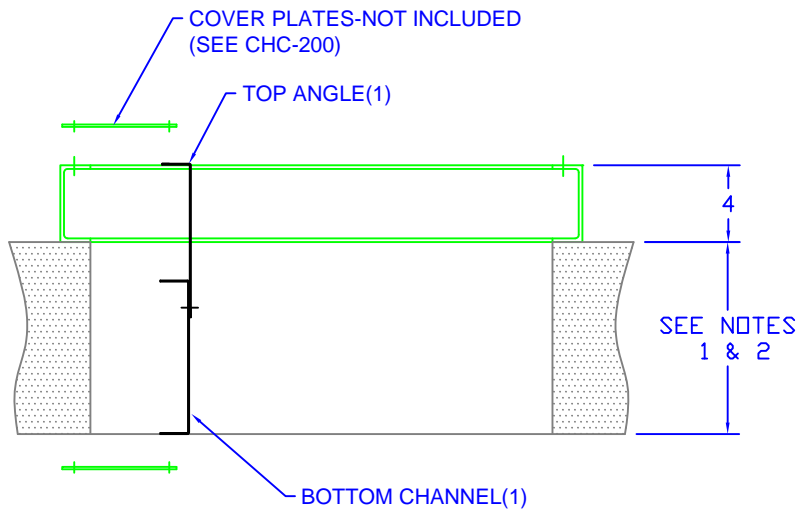
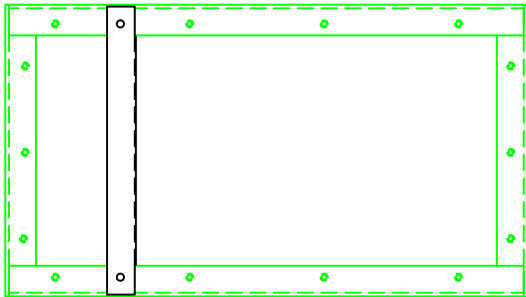


# CABLE SLOT PARTITIONS

(AT & T APPROVED)

ORDERING NOTES;

- 1) FOR "ww" WIDE HOLE IN 4"- 11" THICK FLOOR,  
ORDER CSP-6wwAT
- 2) FOR "ww" WIDE HOLE IN 8" -15" THICK FLOOR,  
ORDER CSP-6wwATD
- 3) ALL PARTITIONS ARE CARBON STEEL  
w/ GRAY POWDER COATING



ww = WIDTH OF SLOT  
(IN WHOLE INCHES)

**CSP-6wwATx**

