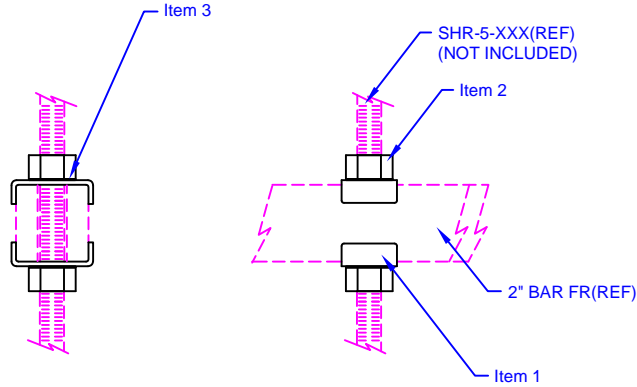


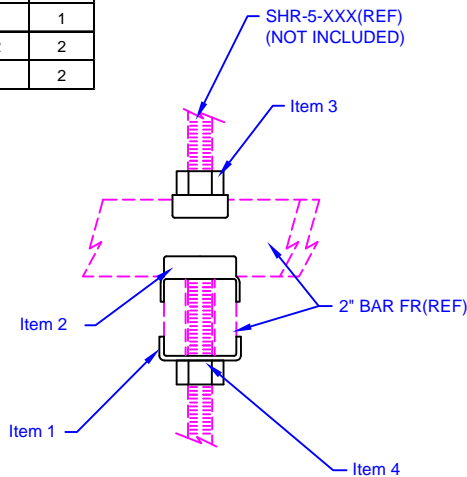
STOCKLIST				
ITEM	Part #	Description	SFB-1K2	SFB-1K2E
1	SFB-1	Framing Clip, 5/8	2	2
2	NHC06211Y	Nut, 5/8 GR5	2	2
3	WEC062Y	ETLW, 5/8 G5		2



CONNECTION OF:  
 $\frac{5}{8}$  HANGER ROD TO  
 2" BAR FRAMING

PART #	w/ WASHERS
SFB-1K2	NO
SFB-1K2E	YES

STOCKLIST				
ITEM	Part #	Description	SFB-1KX	SFB-1KXE
1	SFB-1	Framing Clip, 5/8	2	2
2	SFB-1B	Framing Clip, 5/8 Crossover	1	1
3	NHC06211Y	Nut, 5/8 GR5	2	2
4	WEC062Y	ETLW, 5/8 G5		2



CONNECTION OF:  
 PERPENDICULAR 2" BAR  
 FRAMING TO  $\frac{5}{8}$  HANGER ROD  
 ( $2\frac{1}{8}$  ELEVATION DIFFERENCE)

PART #	L' WASHERS
SFB-1KX	NO
SFB-1KXE	YES

(05/08/13)



Moreng Telecom Products  
 973-237-2001  
 www.morengtel.com