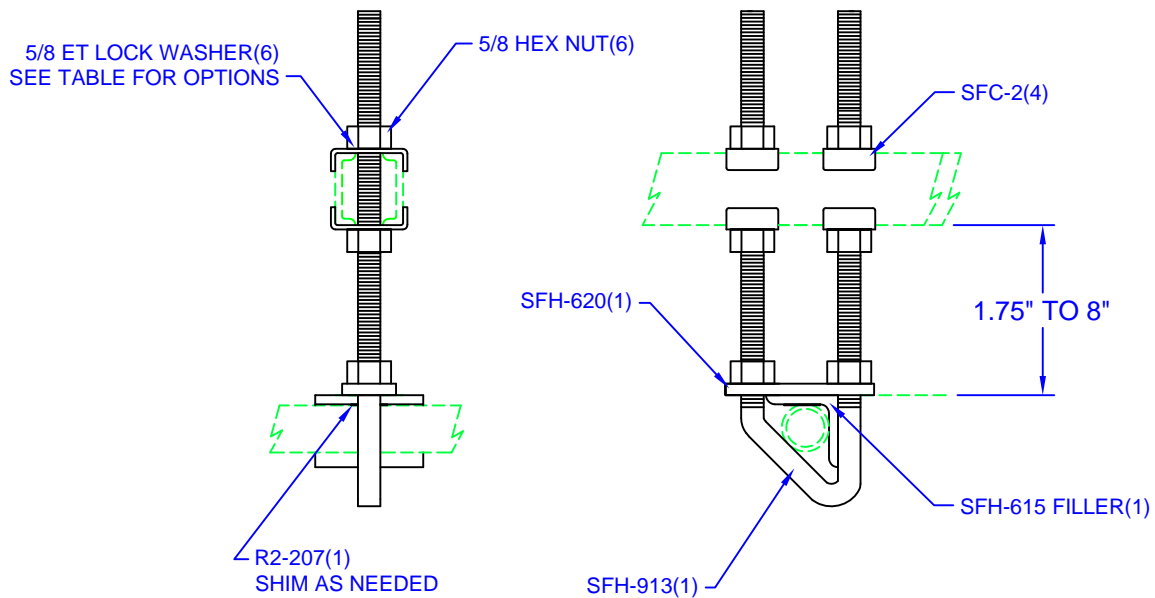


CONNECTION OF:
 FRAMEWORK ANGLE TO 2" CHANNEL
 FRAMING (ADJUSTABLE)

PART #	LOCK WASHERS
SFH-913K	NO
SFH-913KE	YES



CONNECTION OF:
 SUPPORT PIPE TO 2" CHANNEL
 FRAMING (ADJUSTABLE)
 (FUTURE FRAME LOCATION)

PART #	LOCK WASHERS
SFH-913KB	NO
SFH-913KBE	YES

(05/19/09)



Moreng Telecom Products
 973-237-2001
 www.morengtel.com