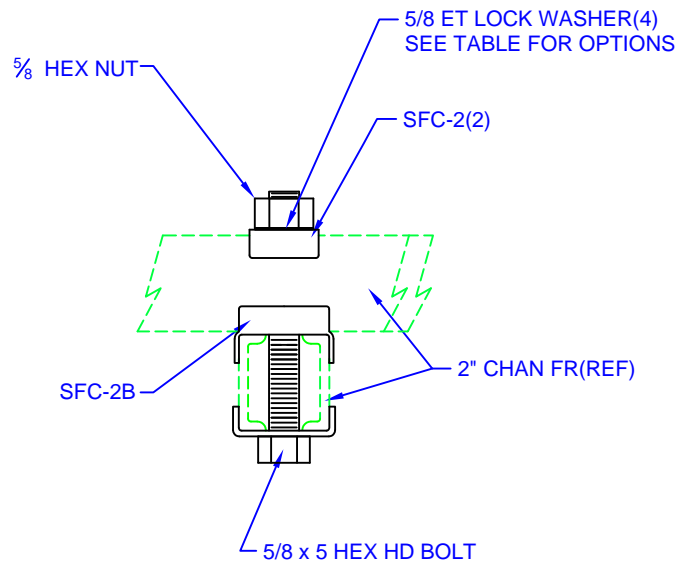


CONNECTION OF:
WALL ANGLE TO 2"
CHANNEL FRAMING
(ANGLE INCLUDED)

SFH-105



CONNECTION OF:
PERPENDICULAR 2" CHANNEL
FRAMING WITH 5/8 BOLT
(2-1/8 ELEVATION DIFFERENCE)

PART #	w/ WASHERS
SFH-107	NO
SFH-107E	YES

(07/13/09)



Moreng Telecom Products
973-237-2001
www.morengtel.com