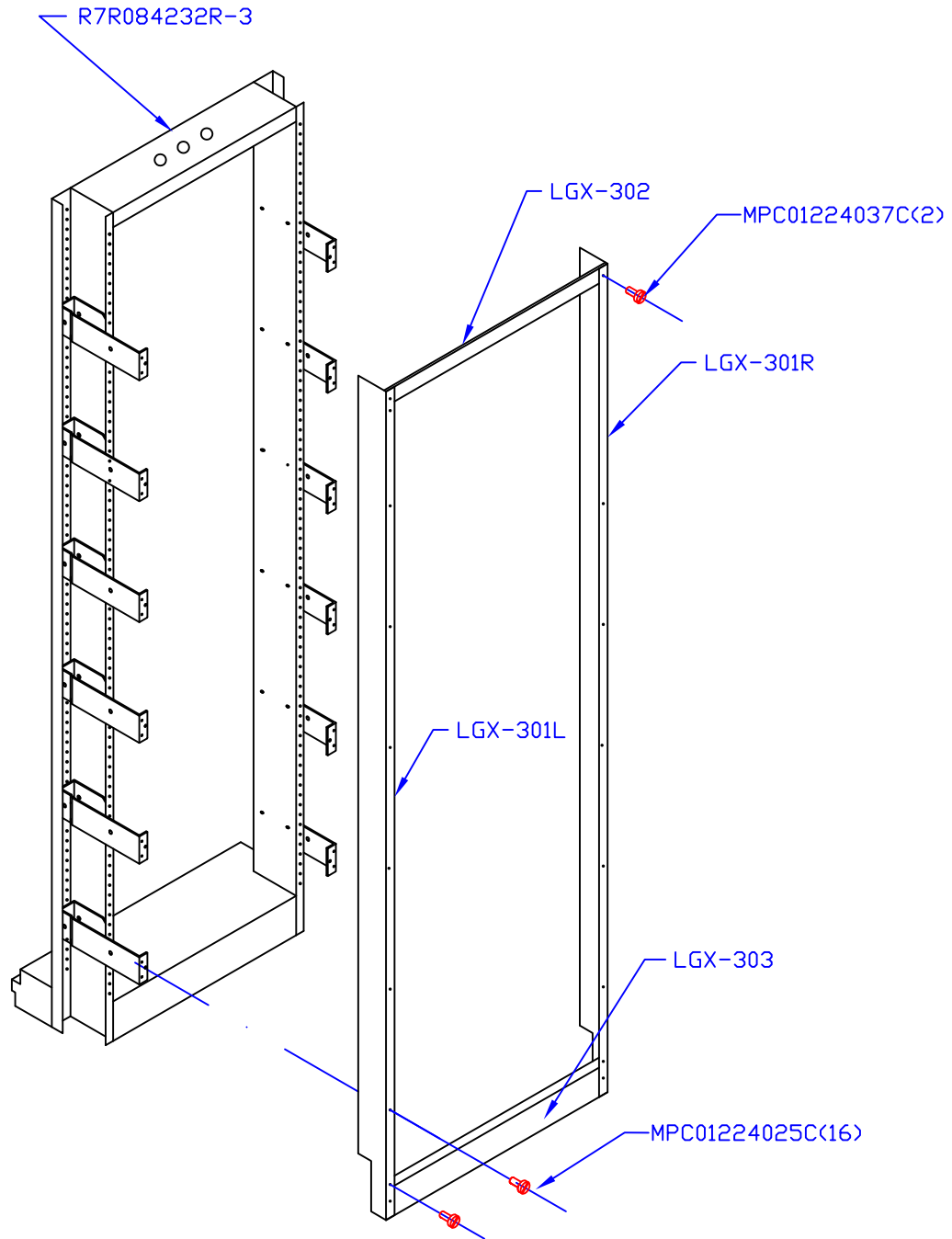


FIBER DISTRIBUTION BAYS (OSP - 12" OR 15" DEEP - SEISMIC)

SHT 3 OF 3



REAR VIEW

SEE SHEETS 1 & 2 FOR FRONT VIEWS

"D"	PART NUMBER
15	R7LG084A15-3
12	R7LG084A-3

(05/16/09)



Moreng Telecom Products
973-237-2001
www.morengtel.com