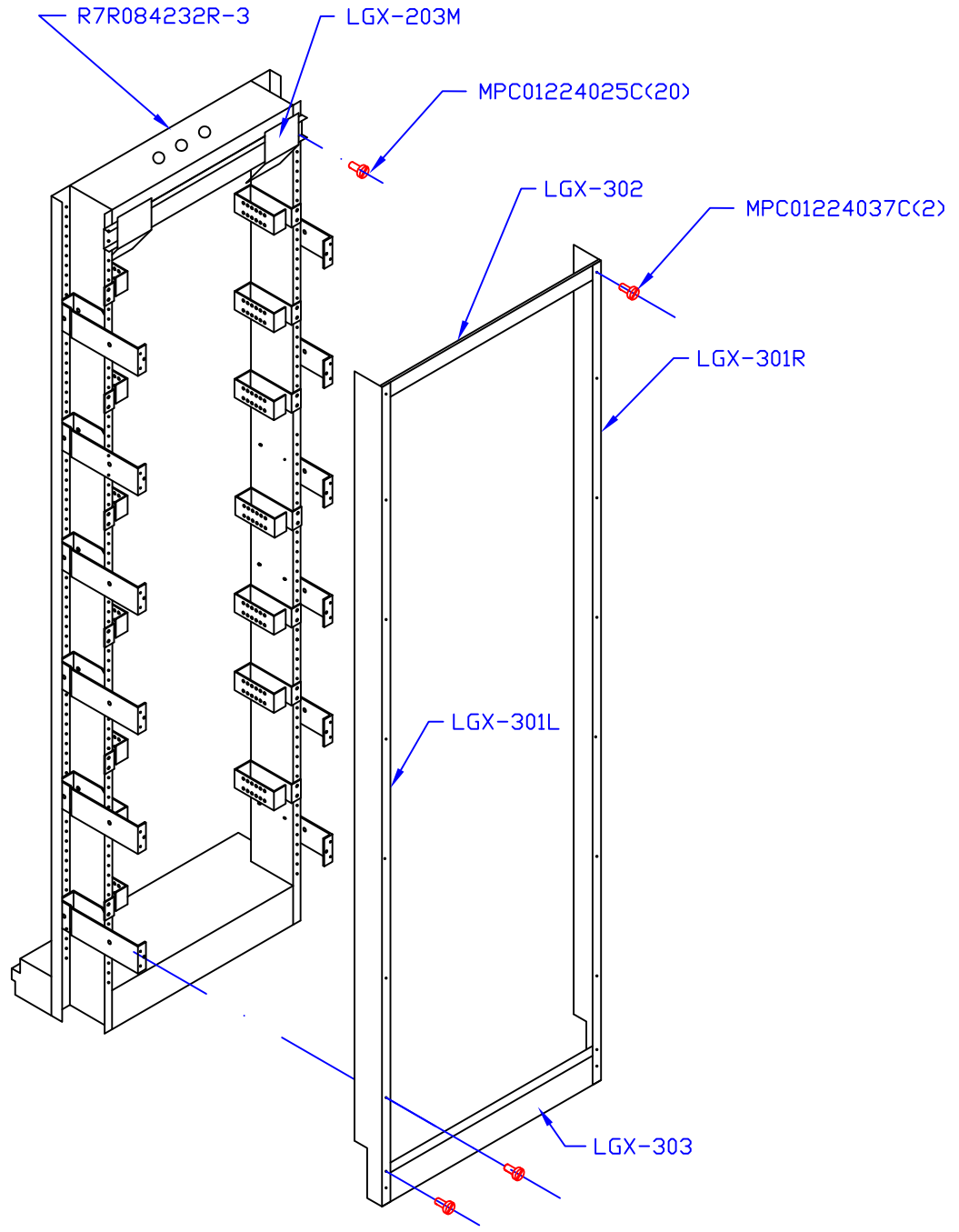


# FIBER DISTRIBUTION BAYS (FOT - 12" DEEP - SEISMIC)

SHT 2 OF 2



REAR VIEW

SEE SHEET 1 FOR FRONT VIEW

**R7LG084R-3**

(06/30/09)