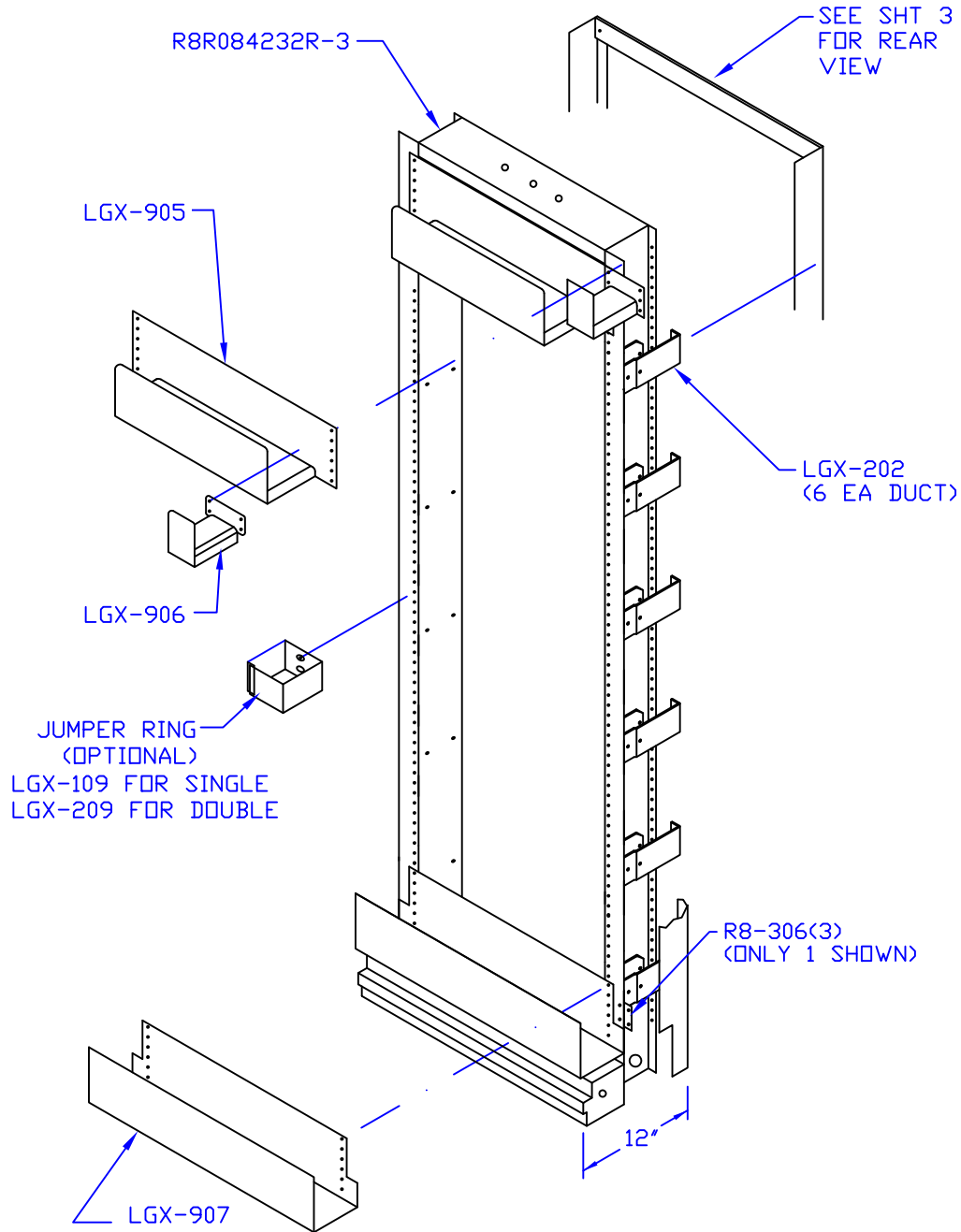


# FIBER DISTRIBUTION BAYS (OSP - 12" DEEP)

SHT 1 OF 3



FRONT VIEW

## R8LG084A-3

(05/16/09)



Moreng Telecom Products  
973-237-2001  
www.morengtel.com