

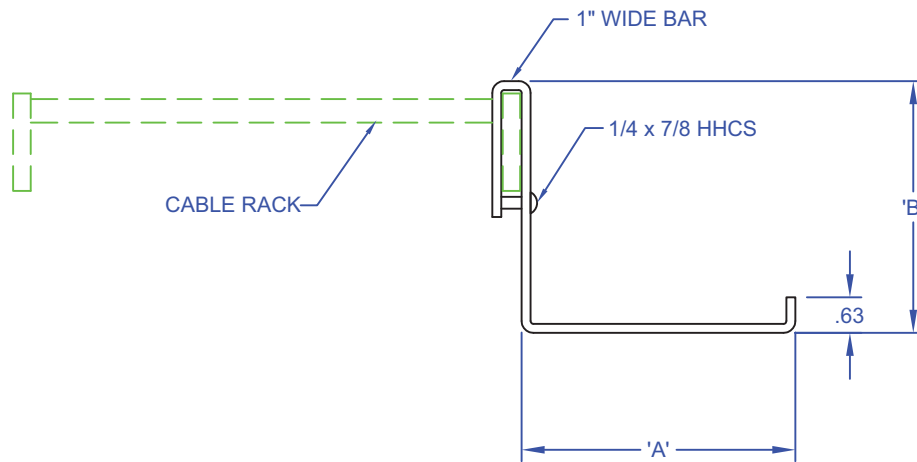
MATERIAL: 3/16 x 1 HRPO

FINISH: MTP GRAY POWDER  
FOR ZINC-YELLOW, ADD 'Y' AT END OF PART #

FOR USE BESIDE 1-1/2" OR 2" SIDE BARS

**POWER CABLE BRACKET**

**CR2-872**



MATERIAL: 3/16 x 1 HRPO

FINISH: MTP GRAY POWDER  
FOR ZINC-YELLOW, ADD 'Y' AT END OF PART #

FOR USE BESIDE 1-1/2" OR 2" SIDE BARS

**POWER CABLE BRACKET**

"A"	"B"	PART #
5.38	4.81	CR2-873
3.50	6.00	CR2-873A
5.38	6.19	CR2-873C